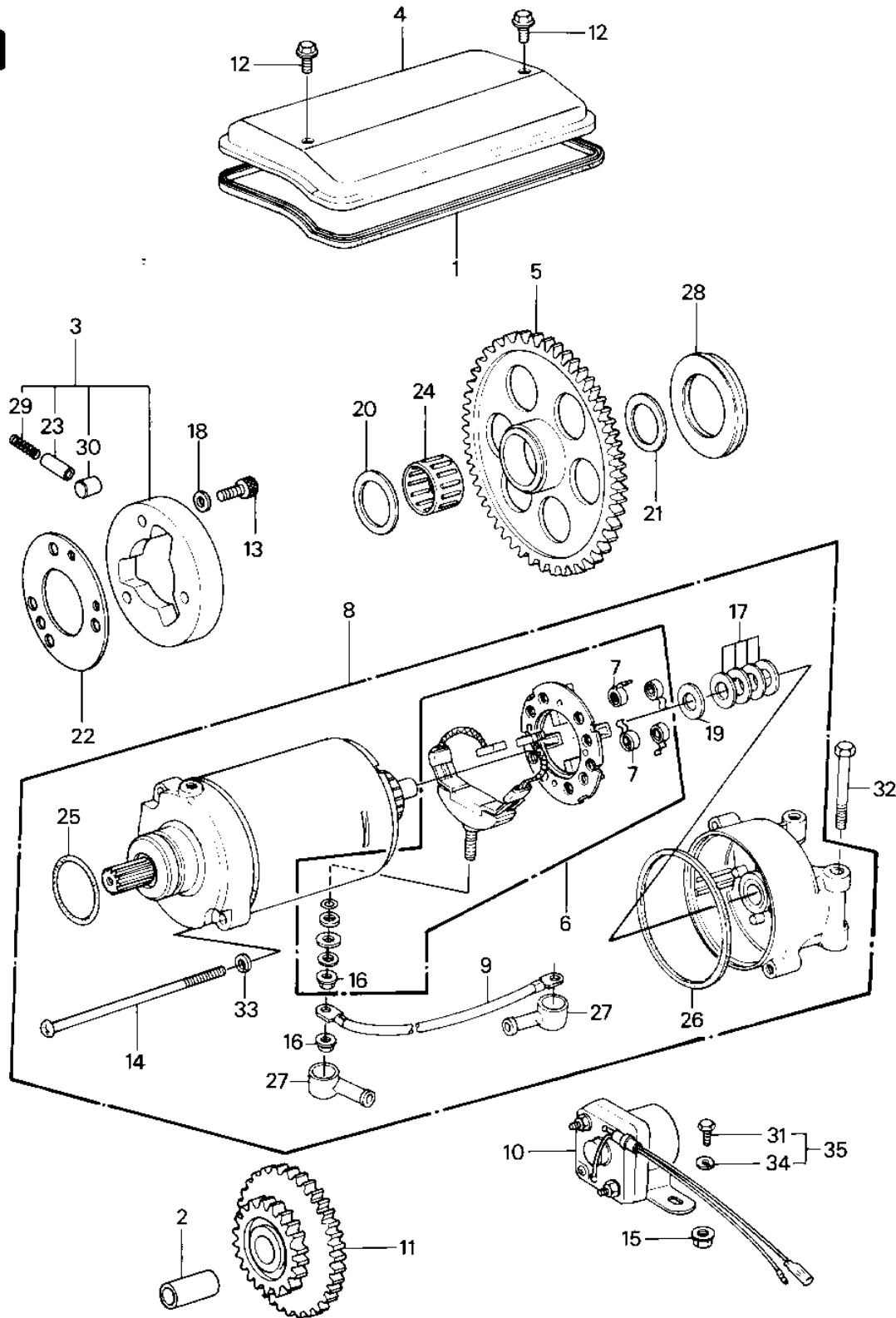


1984 Police 1000

PARTS DIAGRAM

STARTER MOTOR/STARTER CLUTCH

E1840-0015



1984 Police 1000

PARTS LIST

STARTER MOTOR/STARTER CLUTCH

ITEM NAME	PART NUMBER	QUANTITY
GASKET,START MOTOR CV (Ref # 1)	21166-001	
PIN-PISTON (Ref # 2)	13002-007	
CLUTCH ASSY,STARTING (Ref # 3)	13193-1006	
COVER (Ref # 4)	14025-1245	
GEAR,STARTING CLUTCH (Ref # 5)	16085-1012	
BRUSH SET,CARBON (Ref # 6)	21039-1005	
BRUSH,CARBON (Ref # 6)	21039-1053	
BRUSH,CARBON (Ref # 6)	21039-1053	
SPRING,CARBON BRUSH (Ref # 7)	21040-1002	
SPRING-BRUSH (Ref # 7)	21040-1003	
STARTER-ELECTRIC (Ref # 8)	21163-1143	
STARTER-ELECTRIC (Ref # 8)	21163-1143	
STARTER-ELECTRIC (Ref # 8)	21163-1143	
STARTER-ELECTRIC (Ref # 8)	21163-1086	
WIRE-LEAD,START MOTOR (Ref # 9)	26011-1135	
SWITCH,MAGNETIC (Ref # 10)	27010-1047	
GEAR,STARTING MOTOR (Ref # 11)	21167-002	
BOLT,6X10 (Ref # 12)	92001-1151	
BOLT (Ref # 13)	120P0816	
SCREW,PAN HEAD,6X110 (Ref # 14)	21015-005	
NUT-6MM (Ref # 15)	92015-1078	
NUT-6MM (Ref # 16)	92015-1078	
WASHER,THRUST,0.2T (Ref # 17)	21025-011	
WASHER,PLAIN (Ref # 18)	92022-1108	
WASHER,THRUST,0.8T (Ref # 19)	92022-1132	
SPACER (Ref # 20)	92026-1031	
SPACER (Ref # 21)	92026-1033	
PLATE,CLUTCH STARTER (Ref # 22)	92026-112	
PIN (Ref # 23)	92043-087	

1984 Police 1000

PARTS LIST

STARTER MOTOR/STARTER CLUTCH

ITEM NAME	PART NUMBER	QUANTITY
BEARING,NEEDLE,K25302 (Ref # 24)	92046-1022	
"0" RING,STARTING MTR (Ref # 25)	21027-004	
"0" RING,STARTER MOTR (Ref # 26)	92055-1086	
GROMMET,CORD (Ref # 27)	21017-017	
CAP,TERMINAL (Ref # 27)	11012-1354	
DAMPER RUBBER,6.3T (Ref # 28)	92075-1129	
DAMPER RUBBER,7.3T (Ref # 28)	92075-1130	
DAMPER RUBBER,8.3T (Ref # 28)	92075-1131	
SPRING (Ref # 29)	92081-110	
PIN (Ref # 30)	92122-001	
BOLT-UPSET,6X12 (Ref # 31)	112G0612	
BOLT,EXCLUSIVE (Ref # 32)	92001-1456	
BOLT,EXCLUSIVE (Ref # 32)	92001-1456	
WASHER SPRING 5MM (Ref # 33)	461F0500	
WASHER SPRING 6MM (Ref # 34)	461F0600	
BOLT 6X12 (Ref # 35)	180B0612	