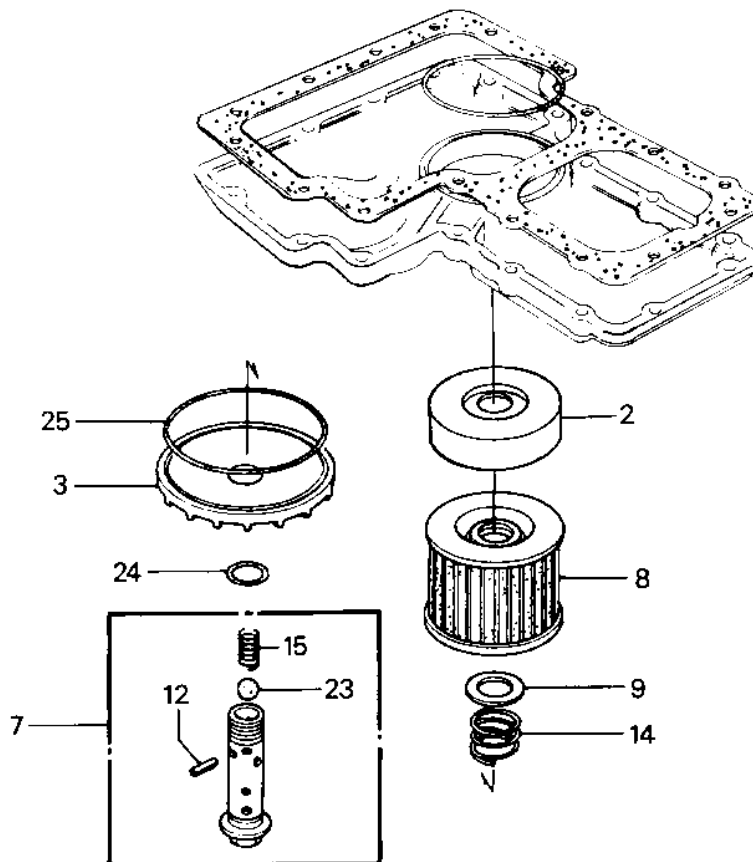
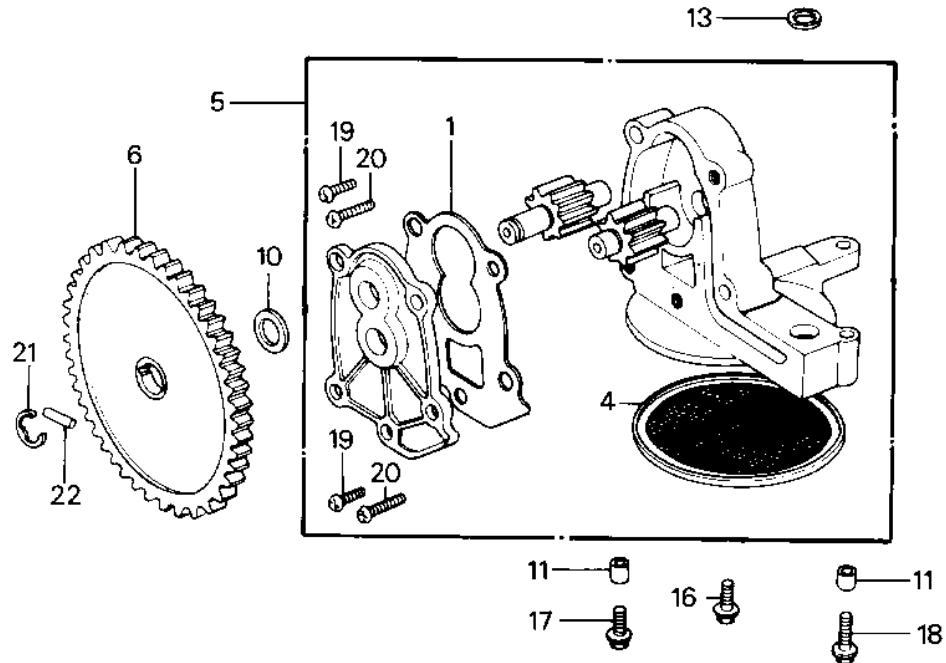


1984 Police 1000

PARTS DIAGRAM OIL PUMP/OIL FILTER

E1710-0025



1984 Police 1000

PARTS LIST

OIL PUMP/OIL FILTER

ITEM NAME	PART NUMBER	QUANTITY
GASKET,OIL PUMP (Ref # 1)	11009-1029	
PLATE,OIL FILTER (Ref # 2)	13169-1313	
COVER,OIL FILTER (Ref # 3)	16101-004	
STRAINER,OIL PUMP (Ref # 4)	16111-004	
PUMP-ASSY-OIL (Ref # 5)	16082-5001	
PUMP-ASSY-OIL (Ref # 5)	16082-1032	
GEAR,OIL PUMP 49T (Ref # 6)	16085-019	
GEAR,OIL PUMP,49T (Ref # 6)	16085-1038	
VALVE,OIL FILTER (Ref # 7)	16126-1108	
VALVE,OIL FILTER (Ref # 7)	16126-1108	
FILTER,OIL (Ref # 8)	16099-003	
WASHER,20.5X30X1.0 (Ref # 9)	92022-1012	
WASHER,LOCK,16MM (Ref # 10)	92026-080	
PIN,DOWEL,8X10 (Ref # 11)	92043-1302	
SPRING PIN (Ref # 12)	92043-111	
O RING,0.D=18MM (Ref # 13)	92055-048	
SPRING,OIL FILTER (Ref # 14)	92081-1018	
SPRING (Ref # 15)	92081-109	
BOLT,FLANGED,6X25 (Ref # 16)	130G0625	
BOLT,FLANGED,6X35 (Ref # 17)	130H0635	
BOLT,FLANGED,6X45 (Ref # 18)	130G0645	
SCREW PAN HEAD 6X18 (Ref # 19)	220B0618	
SCREW PAN HEAD 6X28 (Ref # 20)	220B0628	
CIRCLIP,7MM (Ref # 21)	482K7000	
PIN,DOWEL,3X14 (Ref # 22)	551A0314	
PIN,GEAR CHANGE DRUM (Ref # 22)	92042-042	
BALL STEEL 3/8" (Ref # 23)	600A1200	
"O" RING,16MM (Ref # 24)	670B2016	
UNAVAILABLE IN PRICE BOOK (Ref # 25)	671N2590	