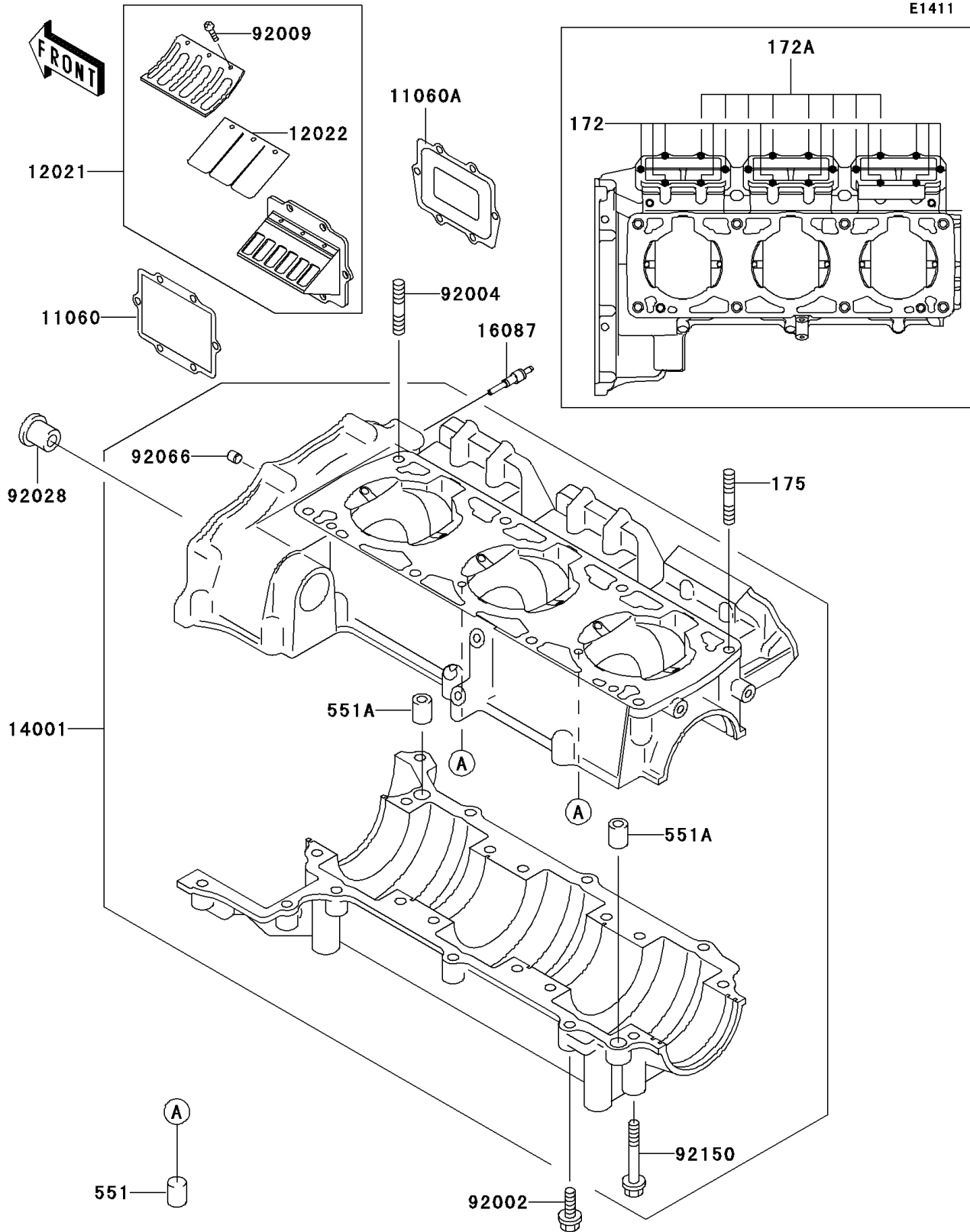


# 2004 Ultra 130

## PARTS DIAGRAM

### Crankcase



# 2004 Ultra 130

## PARTS LIST

### Crankcase

**Kawasaki**

Let the Good Times Roll®

**ITEM NAME**

**PART NUMBER**

**QUANTITY**

---