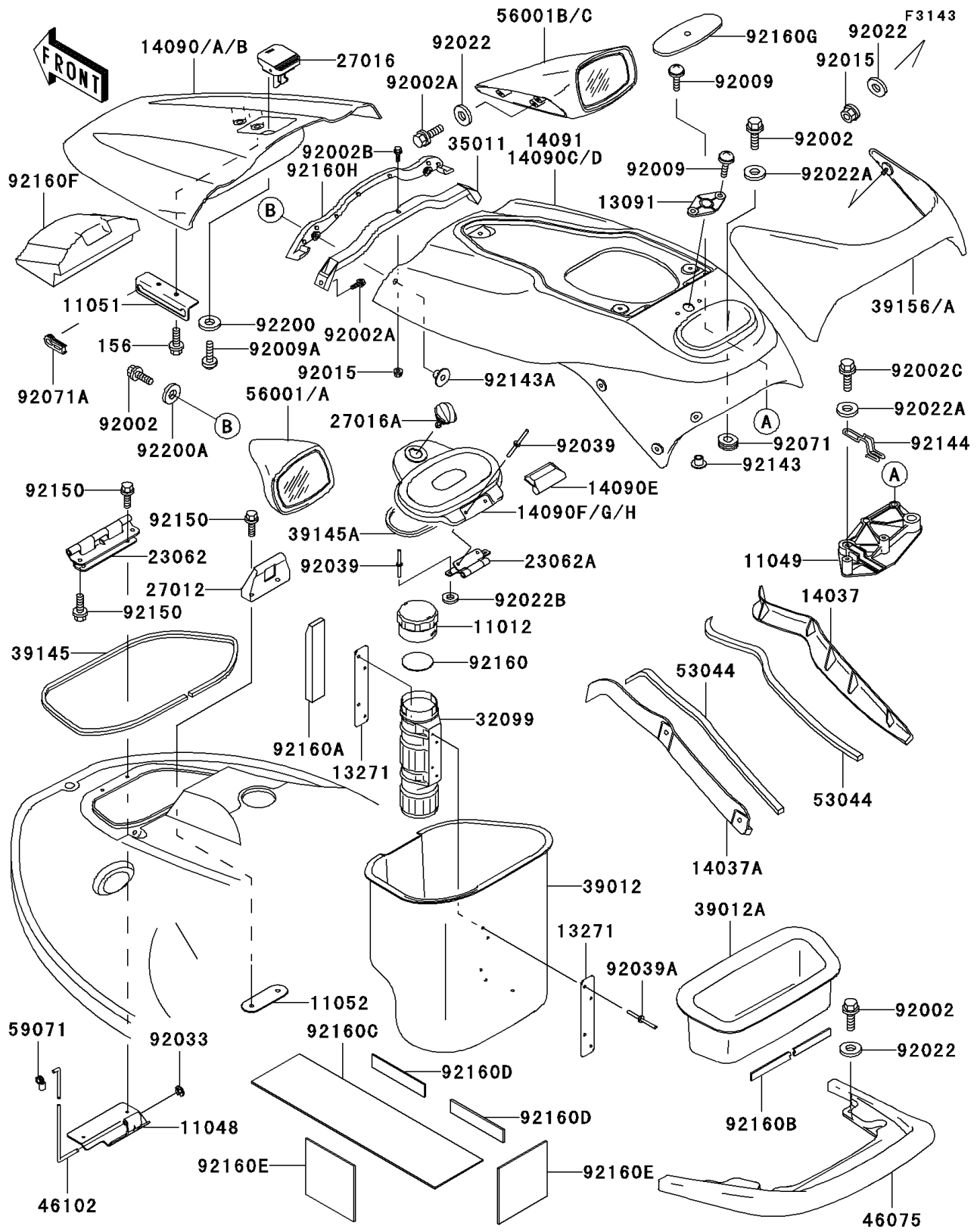


# 2002 1100 ZXi

## PARTS DIAGRAM

### Hull Fittings



# 2002 1100 ZXi

## PARTS LIST

### Hull Fittings

**ITEM NAME**

**PART NUMBER**

**QUANTITY**

---