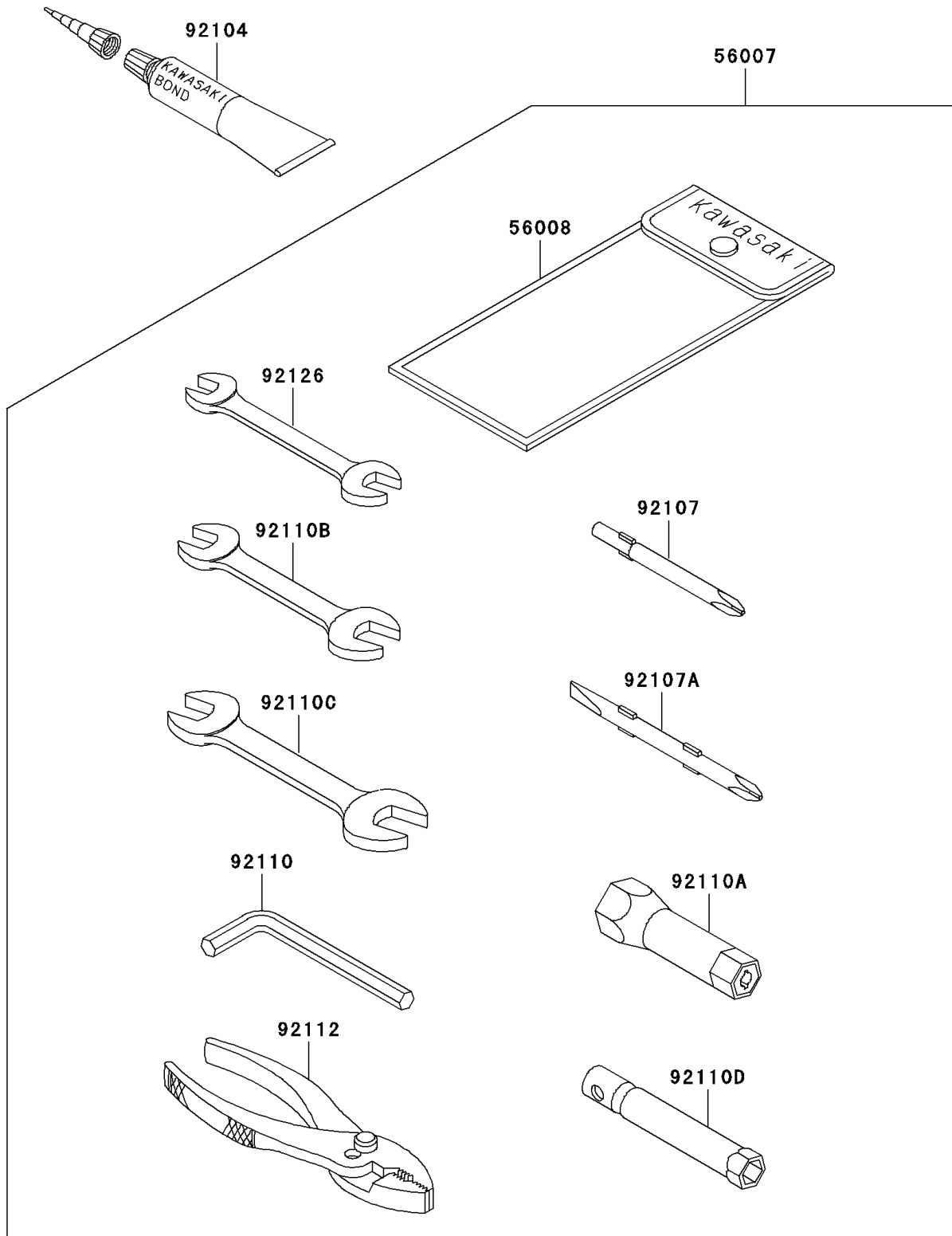


# 1999 1100 ZXi

## PARTS DIAGRAM

### Owner's Tools

F3182



# 1999 1100 ZXi

## PARTS LIST

### Owner's Tools

**ITEM NAME**

**PART NUMBER**

**QUANTITY**

---