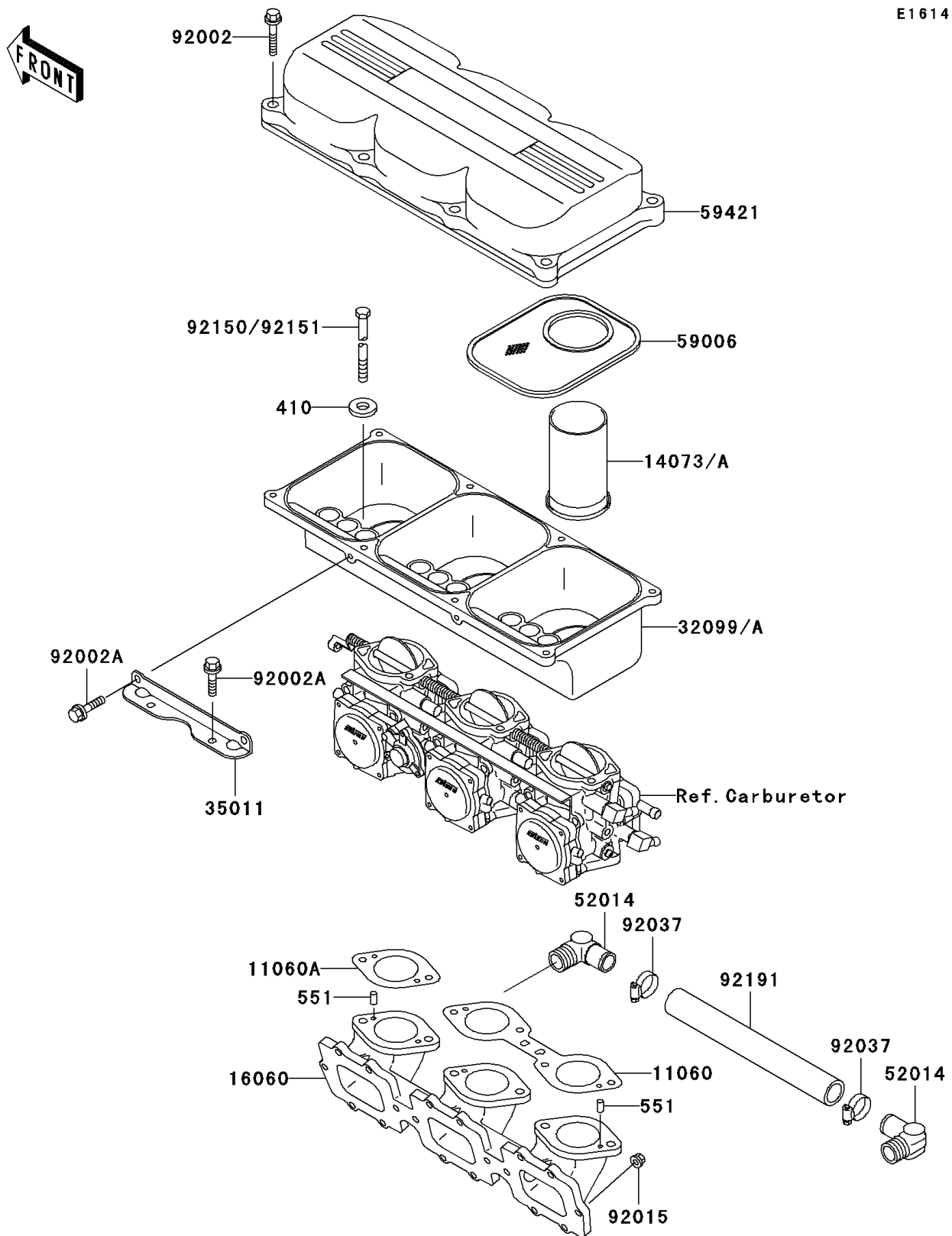


# 1999 1100 ZXi

## PARTS DIAGRAM

### Flame Arrester

E1614



# 1999 1100 ZXi

## PARTS LIST

### Flame Arrester

**ITEM NAME**

**PART NUMBER**

**QUANTITY**

---