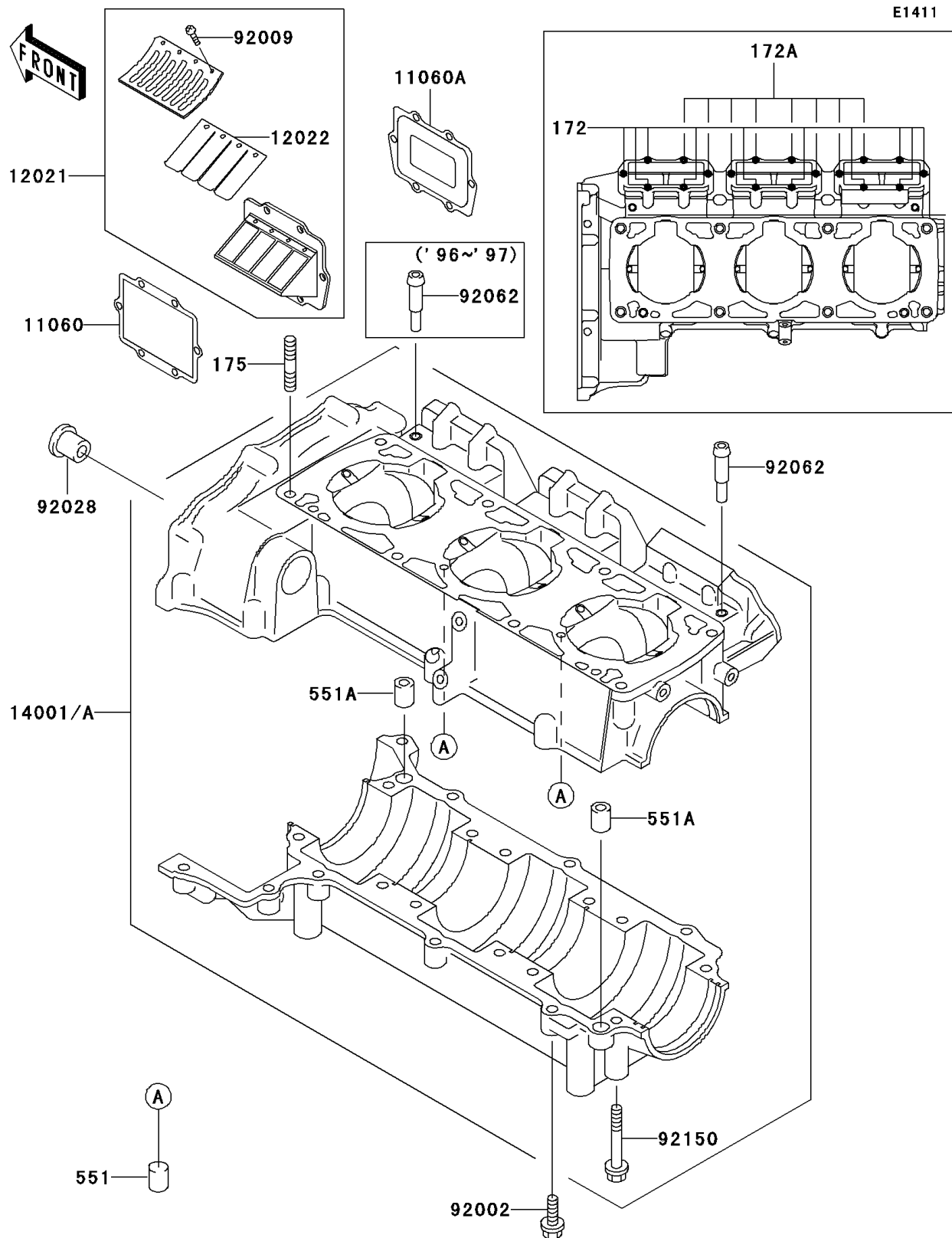


# 1999 1100 ZXi

## PARTS DIAGRAM

### Crankcase



# 1999 1100 ZXi

## PARTS LIST

### Crankcase

**ITEM NAME**

**PART NUMBER**

**QUANTITY**

---