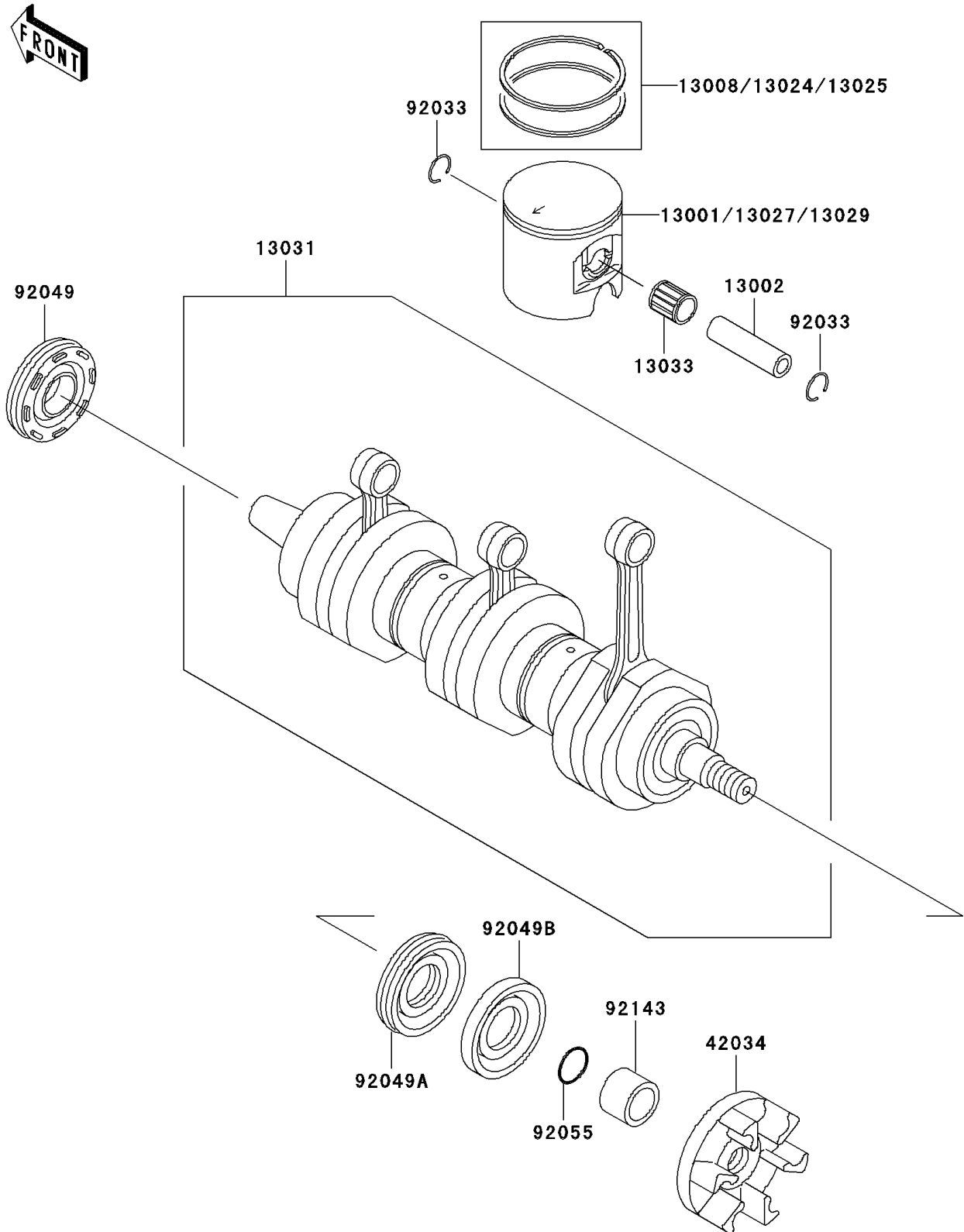


2000 1100 ZXi

PARTS DIAGRAM

Crankshaft/Piston(s)

E1320



2000 1100 ZXi

PARTS LIST

Crankshaft/Piston(s)

| ITEM NAME | PART NUMBER | QUANTITY |
|---|-------------|----------|
| PISTON-ENGINE (Ref # 13001) | 13001-3725 | 3 |
| PIN-PISTON (Ref # 13002) | 13002-3706 | 3 |
| RING-SET-PISTON,STD (Ref # 13008) | 13008-3708 | 3 |
| RING-SET-PISTON LL,O/S 1.00 (Ref # 13024) | 13024-3706 | AR |
| RING-SET-PISTON L,O/S 0.50 (Ref # 13025) | 13025-3706 | AR |
| PISTON-ENGINE LL,O/S 1.00 (Ref # 13027) | 13027-3715 | AR |
| PISTON-ENGINE L,O/S 0.50 (Ref # 13029) | 13029-3715 | AR |
| CRANKSHAFT-COMP (Ref # 13031) | 13031-3731 | 1 |
| BEARING-SMALL END (Ref # 13033) | 13033-3703 | 3 |
| COUPLING (Ref # 42034) | 42034-3709 | 1 |
| RING-SNAP (Ref # 92033) | 92033-3721 | 6 |
| SEAL-OIL,FWJ7307210ZS (Ref # 92049) | 92049-3713 | 1 |
| SEAL-OIL (Ref # 92049A) | 92049-3715 | 1 |
| SEAL-OIL (Ref # 92049B) | 92049-3716 | 1 |
| RING-O,20.8X2.4 (Ref # 92055) | 92055-3740 | 1 |
| COLLAR (Ref # 92143) | 92143-3745 | 1 |