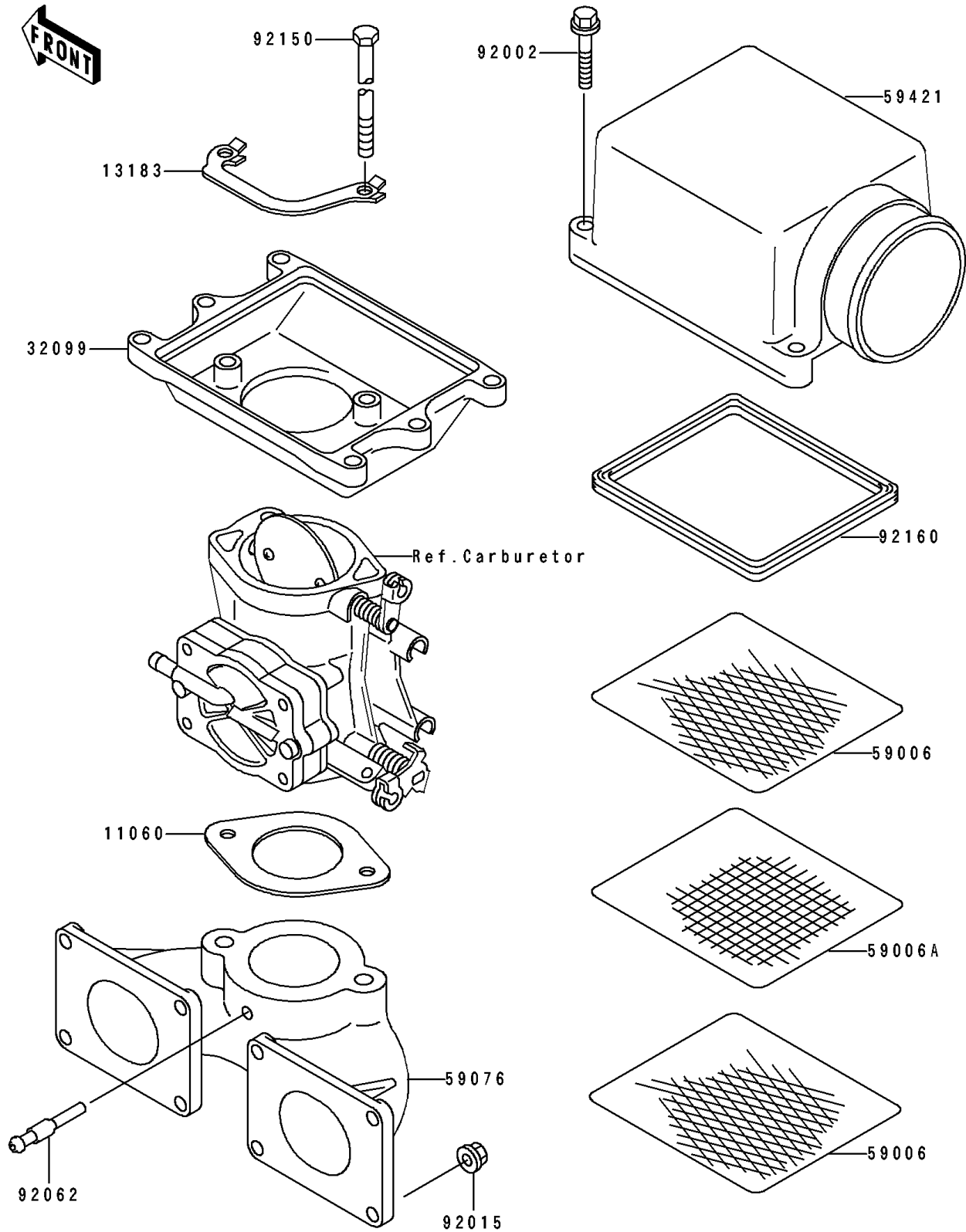


# 1996 TS

## PARTS DIAGRAM

### Flame Arrester

E1614



# 1996 TS

## PARTS LIST

### Flame Arrester

ITEM NAME	PART NUMBER	QUANTITY
-----------	-------------	----------

---