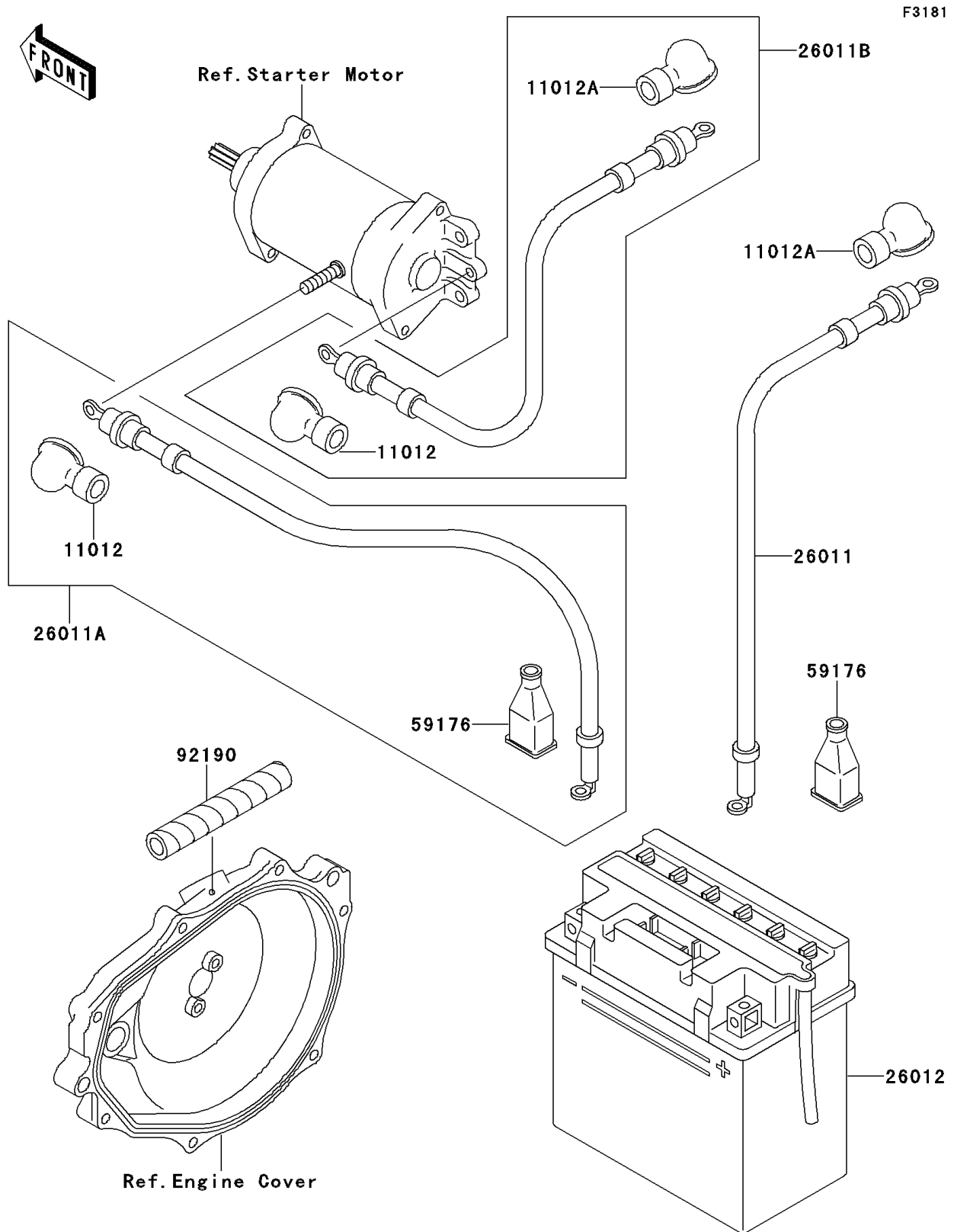


# 1994 X2

## PARTS DIAGRAM

### Electrical Equipment



# 1994 X2

## PARTS LIST

### Electrical Equipment

**ITEM NAME**

**PART NUMBER**

**QUANTITY**

---