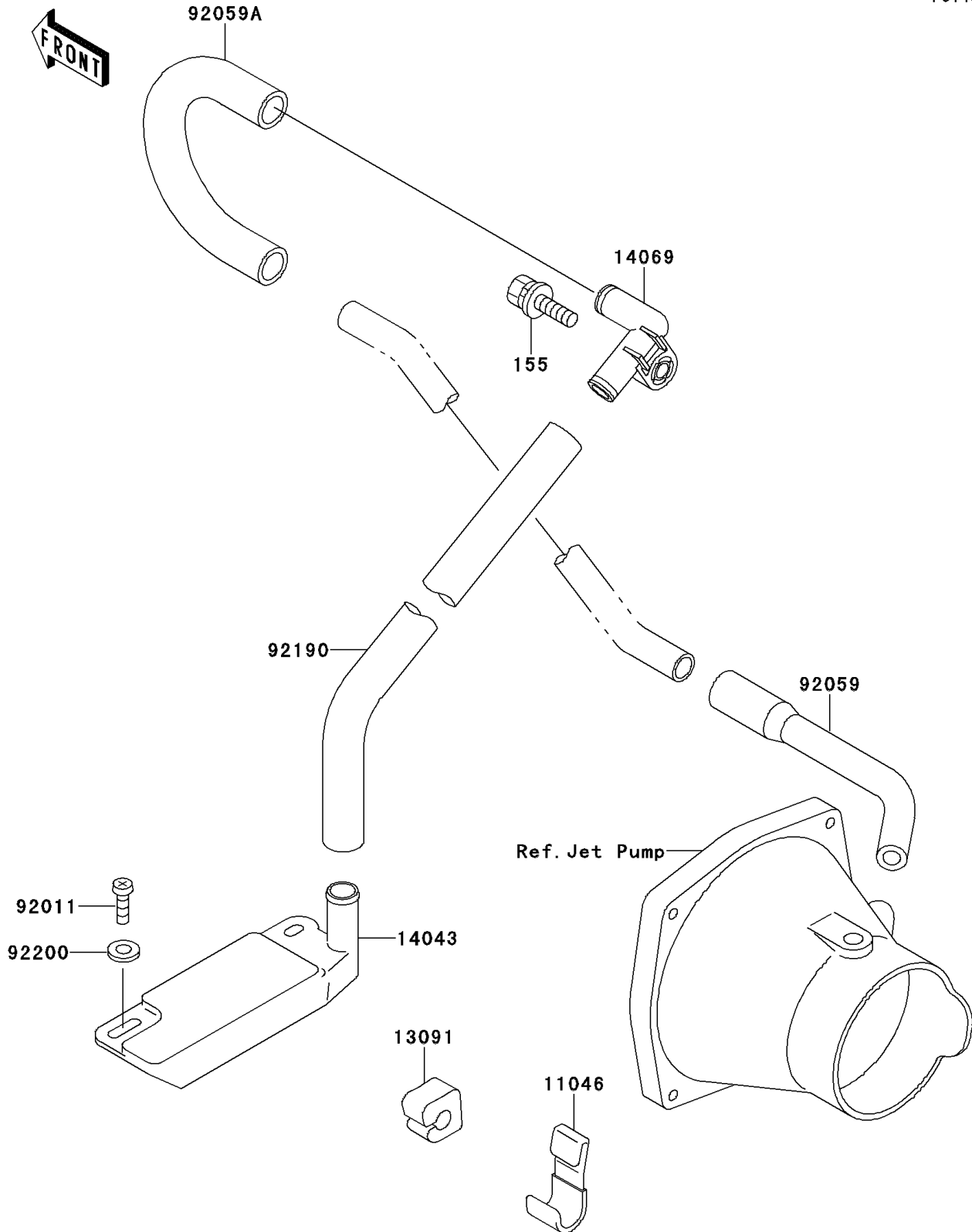


1994 X2

PARTS DIAGRAM

Bilge System

F3145



1994 X2

PARTS LIST

Bilge System

ITEM NAME

PART NUMBER

QUANTITY
