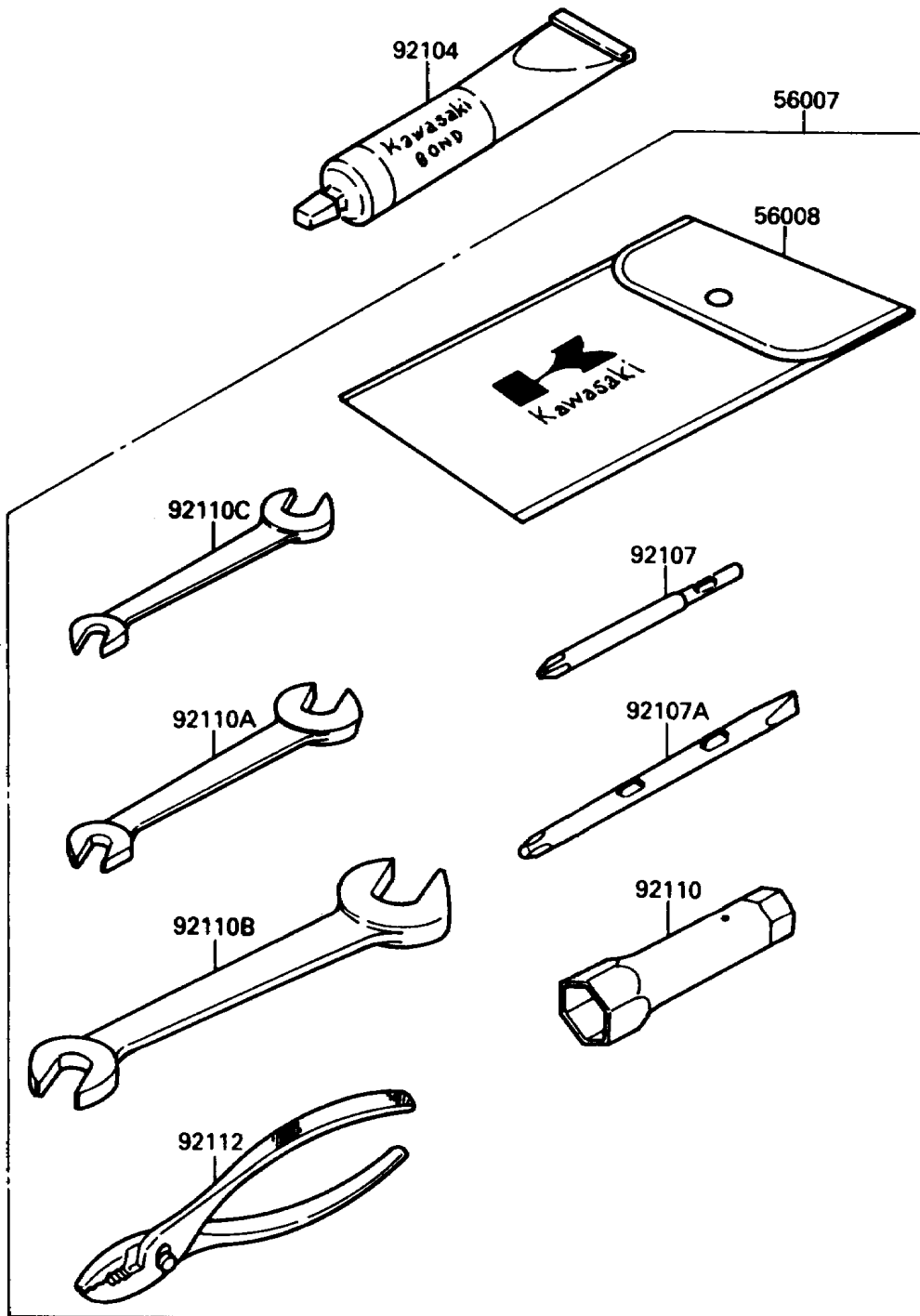


1990 X2

PARTS DIAGRAM

Owner's Tools

F3182



1990 X2

PARTS LIST

Owner's Tools

ITEM NAME

PART NUMBER

QUANTITY
