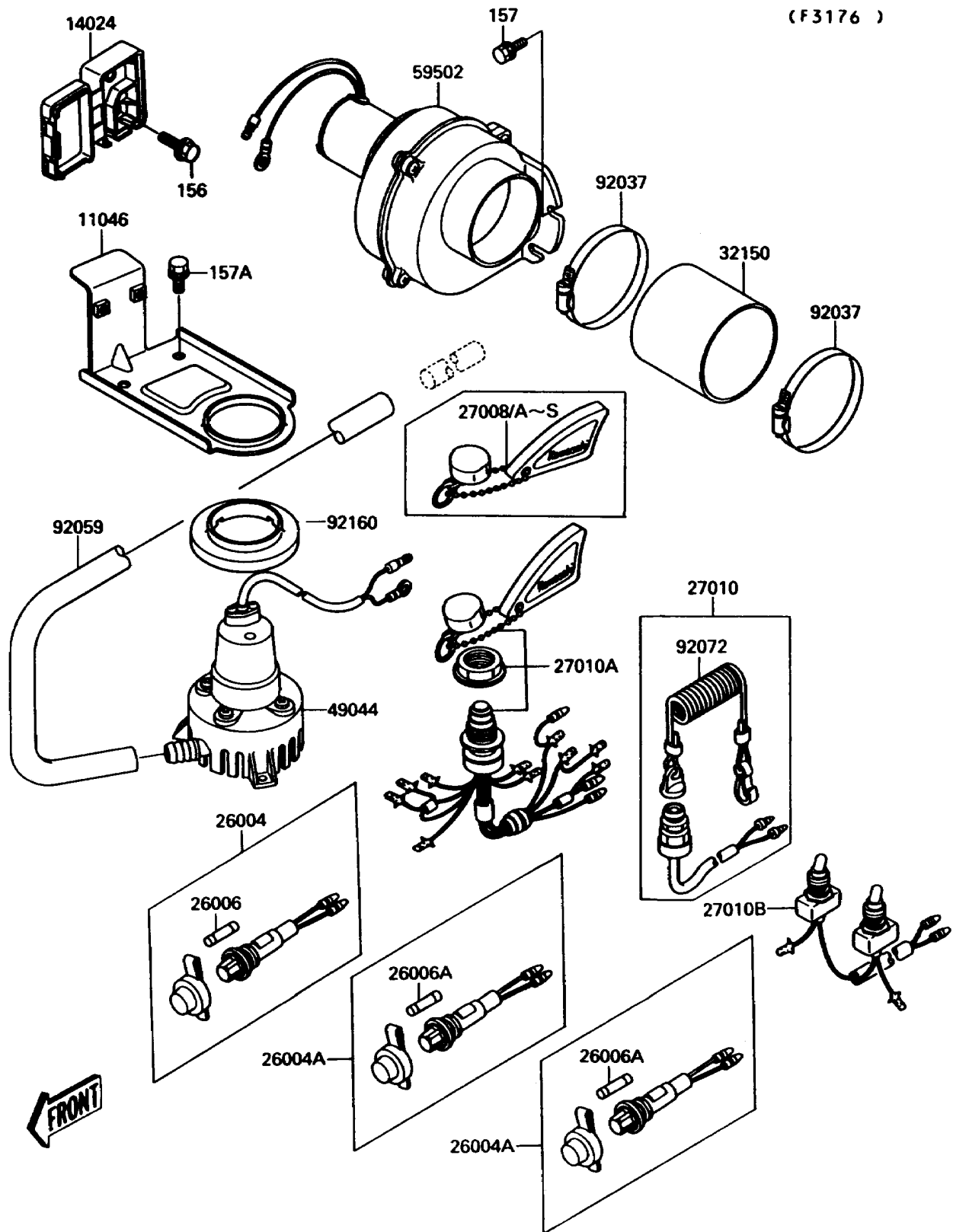


# 1991 Jet Mate

## PARTS DIAGRAM

### Bilge Pump



# 1991 Jet Mate

## PARTS LIST

### Bilge Pump

**ITEM NAME**

**PART NUMBER**

**QUANTITY**

---