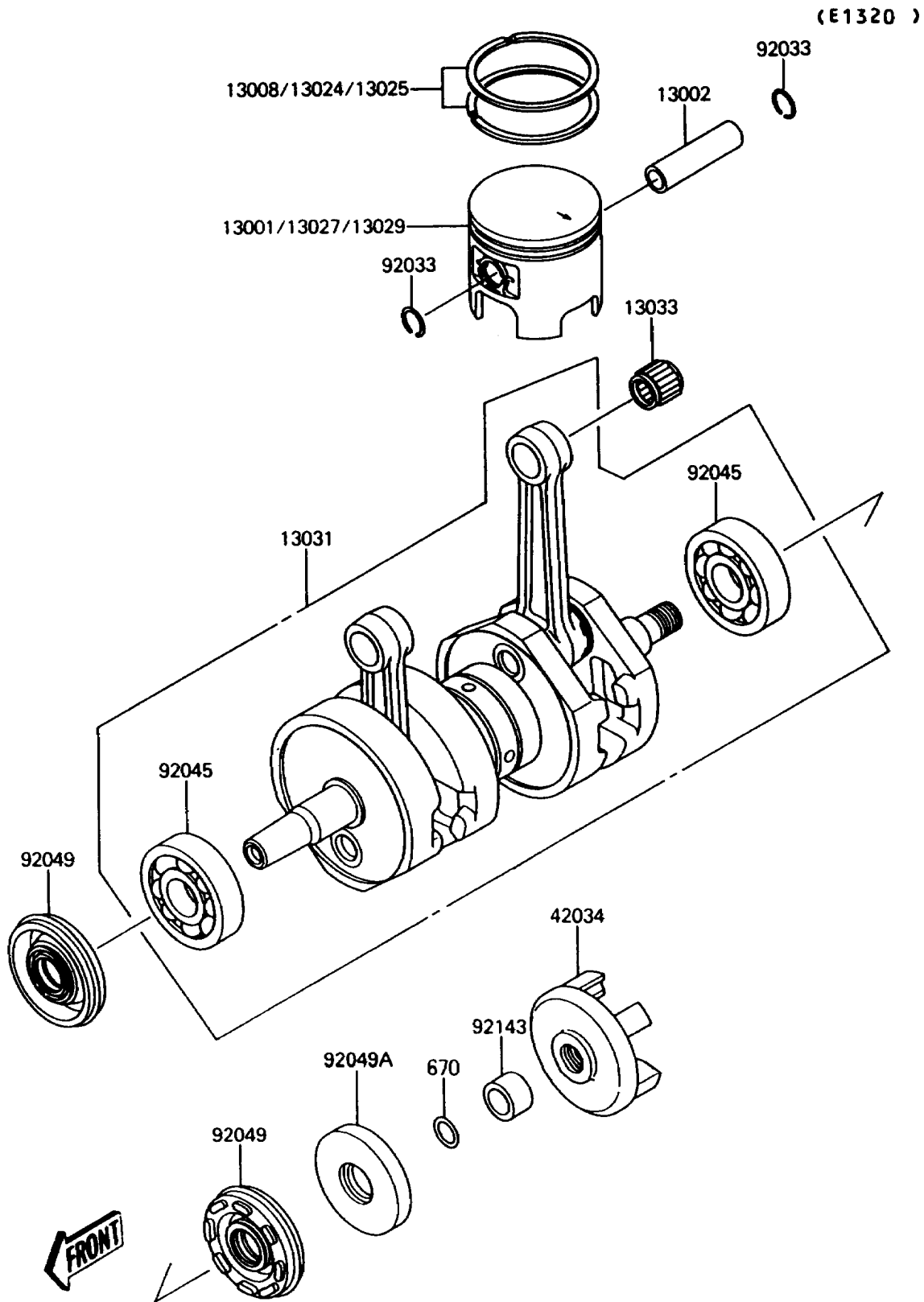


1989 Jet Mate

PARTS DIAGRAM

Crankshaft/Piston(s)



1989 Jet Mate

PARTS LIST

Crankshaft/Piston(s)

| ITEM NAME | PART NUMBER | QUANTITY |
|---|-------------|----------|
| PISTON-ENGINE,STD (Ref # 13001) | 13001-3701 | 2 |
| PIN-PISTON (Ref # 13002) | 13002-017 | 2 |
| RING-SET-PISTON,STD (Ref # 13008) | 13008-3701 | 2 |
| RING-SET-PISTON LL,O/S,1.00 (Ref # 13024) | 13024-3701 | 2 |
| RING-SET-PISTON L,O/S,0.50 (Ref # 13025) | 13025-3701 | 2 |
| PISTON-ENGINE LL,O/S 1.00 (Ref # 13027) | 13027-3701 | 2 |
| PISTON-ENGINE L,O/S 0.50 (Ref # 13029) | 13029-3701 | 2 |
| CRANKSHAFT-COMP (Ref # 13031) | 13031-3707 | 1 |
| BEARING-NEEDLE,KBK18X22X23.8X (Ref # 13033) | 13033-1010 | 2 |
| COUPLING (Ref # 42034) | 42034-3705 | 1 |
| RING-SNAP,PISTON PIN (Ref # 92033) | 92036-015 | 4 |
| BEARING-BALL,6303C4 (Ref # 92045) | 92045-3709 | 3 |
| SEAL-OIL,FWJ15307210 (Ref # 92049) | 92049-3705 | 2 |
| SEAL-OIL,S30726 (Ref # 92049A) | 92049-3706 | 1 |
| COLLAR (Ref # 92143) | 92027-3713 | 1 |
| O RING,14MM (Ref # 670) | 670B2014 | 1 |