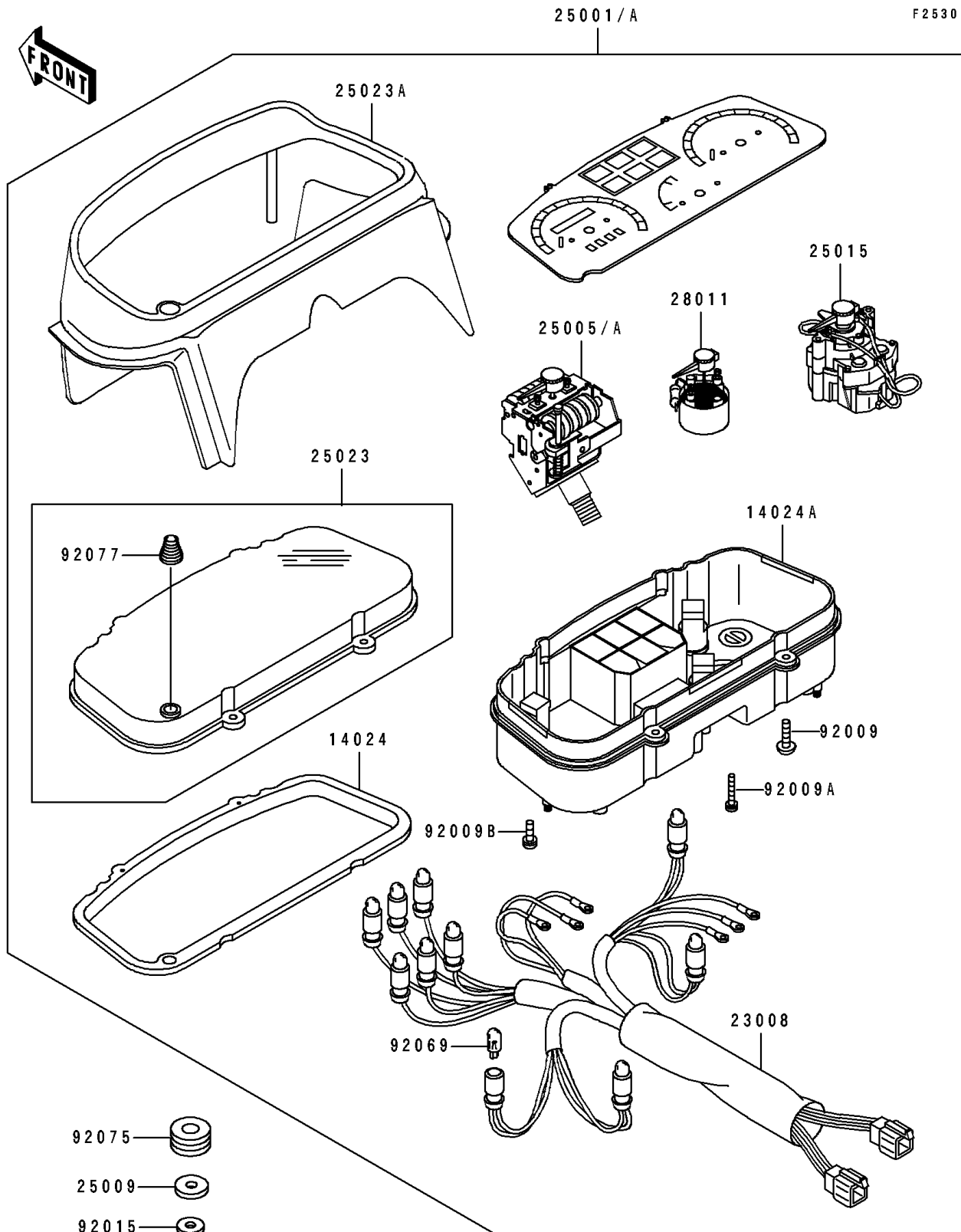


# 1992 EX500

## PARTS DIAGRAM

### Meters



# 1992 EX500

## PARTS LIST

Meters

**ITEM NAME**

**PART NUMBER**

**QUANTITY**

---