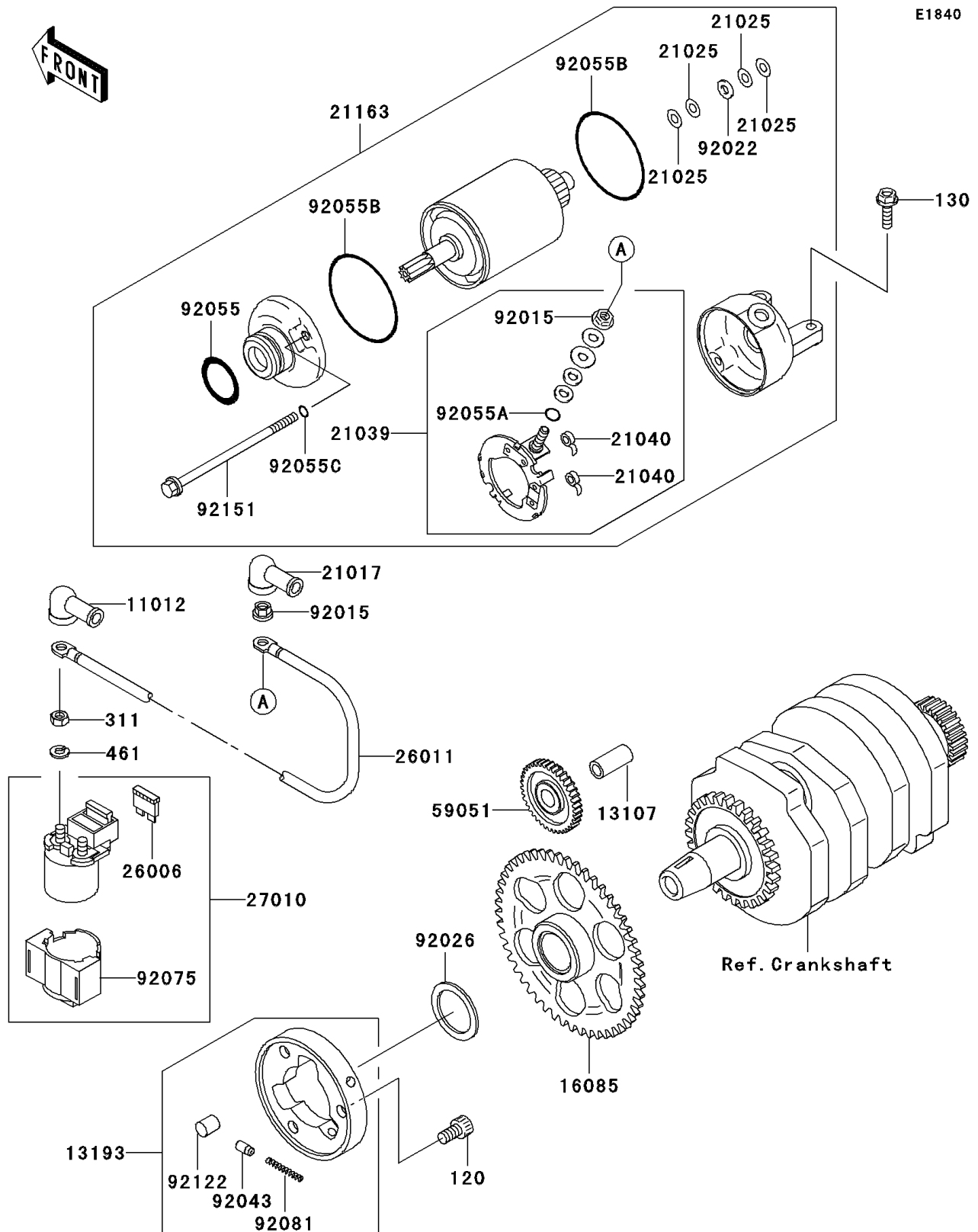


2007 Ninja® 250R

PARTS DIAGRAM

Starter Motor



2007 Ninja® 250R

PARTS LIST

Starter Motor

ITEM NAME	PART NUMBER	QUANTITY
BOLT-SOCKET,8X14 (Ref # 120)	120P0814	3
BOLT-FLANGED,6X20 (Ref # 130)	130J0620	2
NUT-HEX,6MM (Ref # 311)	311B0600	2
WASHER-SPRING,6MM (Ref # 461)	461F0600	2
CAP,TERMINAL (Ref # 11012)	11012-1354	1
SHAFT,7.8X12X26.5 (Ref # 13107)	13107-1176	1
CLUTCH-ASSY-ONEWAY (Ref # 13193)	13193-1002	1
GEAR,ONEWAY CLUTCH,65T (Ref # 16085)	16085-1166	1
GROMMET,STARTER TERMINAL (Ref # 21017)	21017-017	1
WASHER,9.1X18X0.2 (Ref # 21025)	21025-011	AR
BRUSH (Ref # 21039)	21039-1066	1
SPRING-BRUSH (Ref # 21040)	21040-1057	2
STARTER-ELECTRIC (Ref # 21163)	21163-1317	1
FUSE,30A-G (Ref # 26006)	26006-1006	1
WIRE-LEAD,STARTER (Ref # 26011)	26011-1837	1
SWITCH,MAGNETIC (Ref # 27010)	27010-1213	1
GEAR-SPUR,IDLE (Ref # 59051)	59051-1154	1
NUT,STARTER MOTOR (Ref # 92015)	92015-1476	2
WASHER,9.1X18X0.8 (Ref # 92022)	92022-1132	1
SPACER,25X40X1 (Ref # 92026)	92026-1004	1
PIN (Ref # 92043)	92043-132	3
RING-O (Ref # 92055)	92055-1276	1
RING-O,4.5X2.0 (Ref # 92055A)	92055-1370	1
RING-O (Ref # 92055B)	92055-1550	2
RING-O (Ref # 92055C)	92055-1551	2
DAMPER,MAGNETIC SWITCH (Ref # 92075)	92075-1863	1
SPRING,COIL (Ref # 92081)	92081-159	3
ROLLER (Ref # 92122)	92122-006	3
BOLT (Ref # 92151)	92151-1980	2