

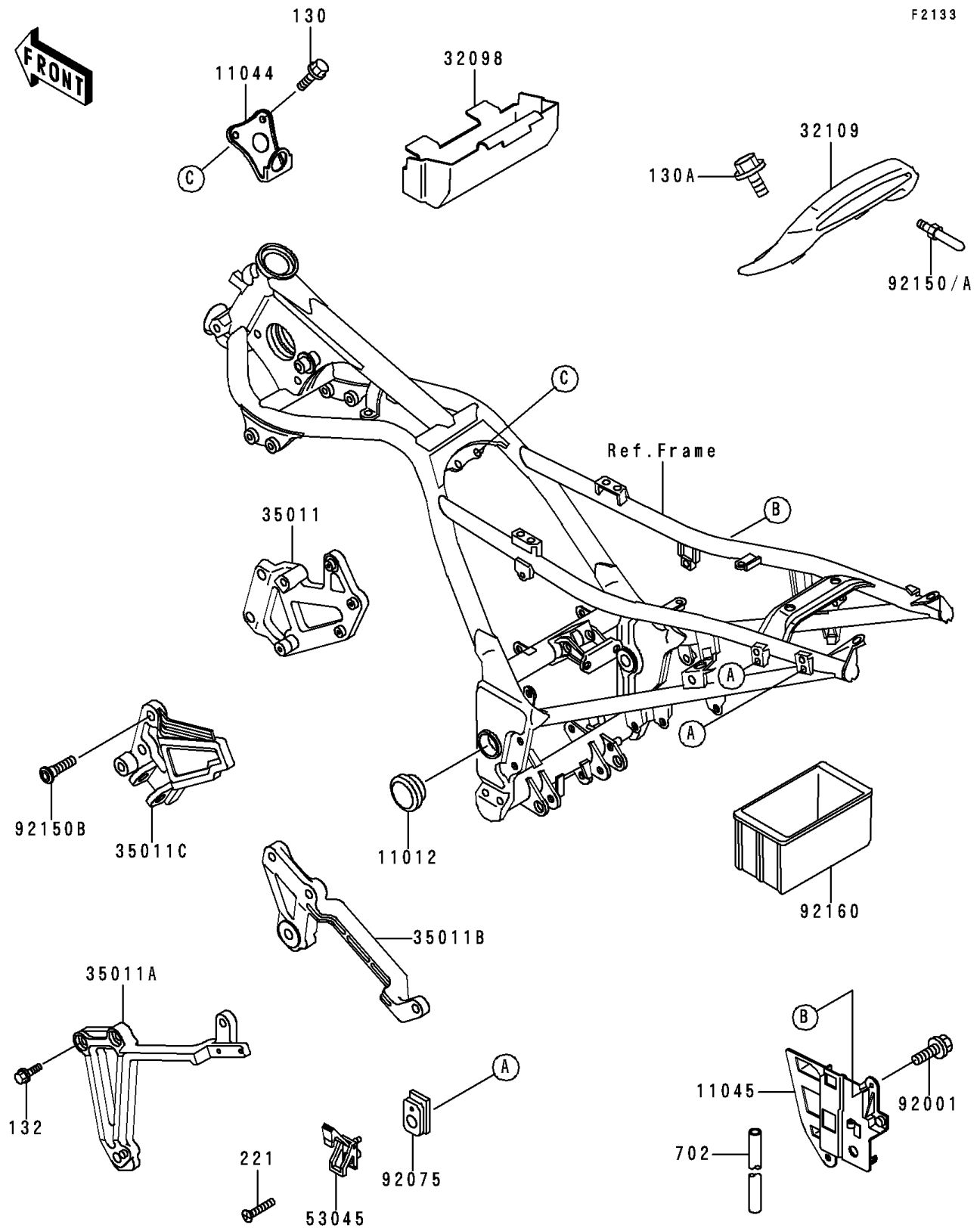
# 1993 Ninja<sup>®</sup> 250R

## PARTS DIAGRAM

### Electro Bracket

**Kawasaki**

Let the Good Times Roll<sup>®</sup>



# 1993 Ninja<sup>®</sup> 250R

## PARTS LIST

### Electro Bracket

**ITEM NAME**

**PART NUMBER**

**QUANTITY**

---