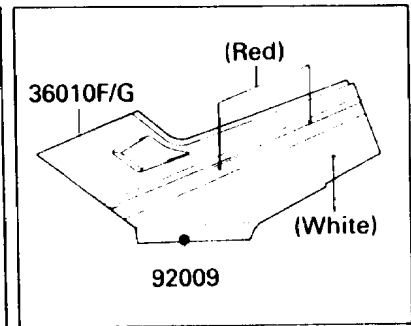
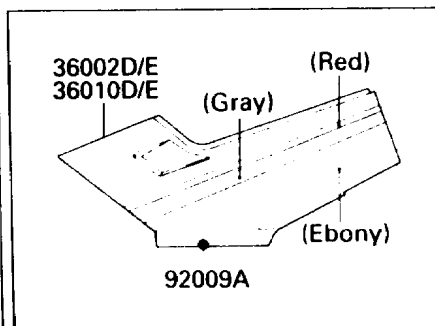
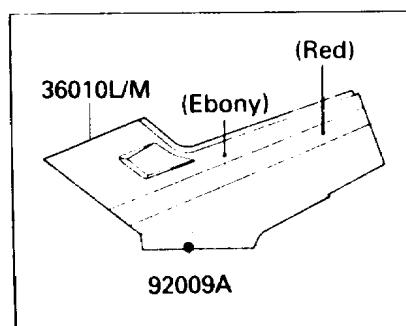
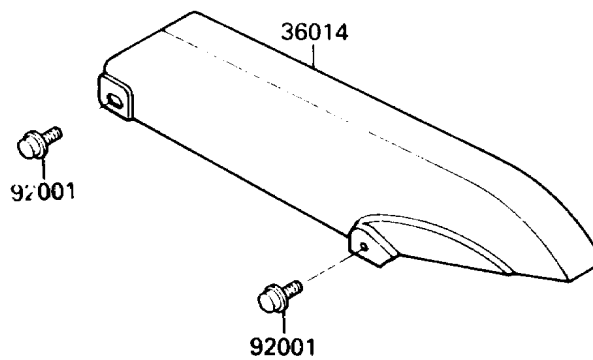
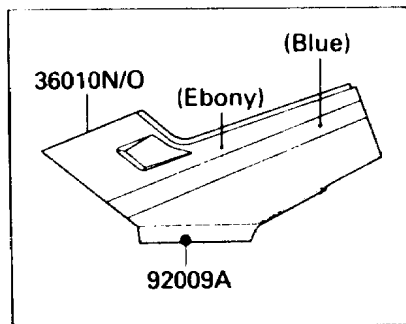
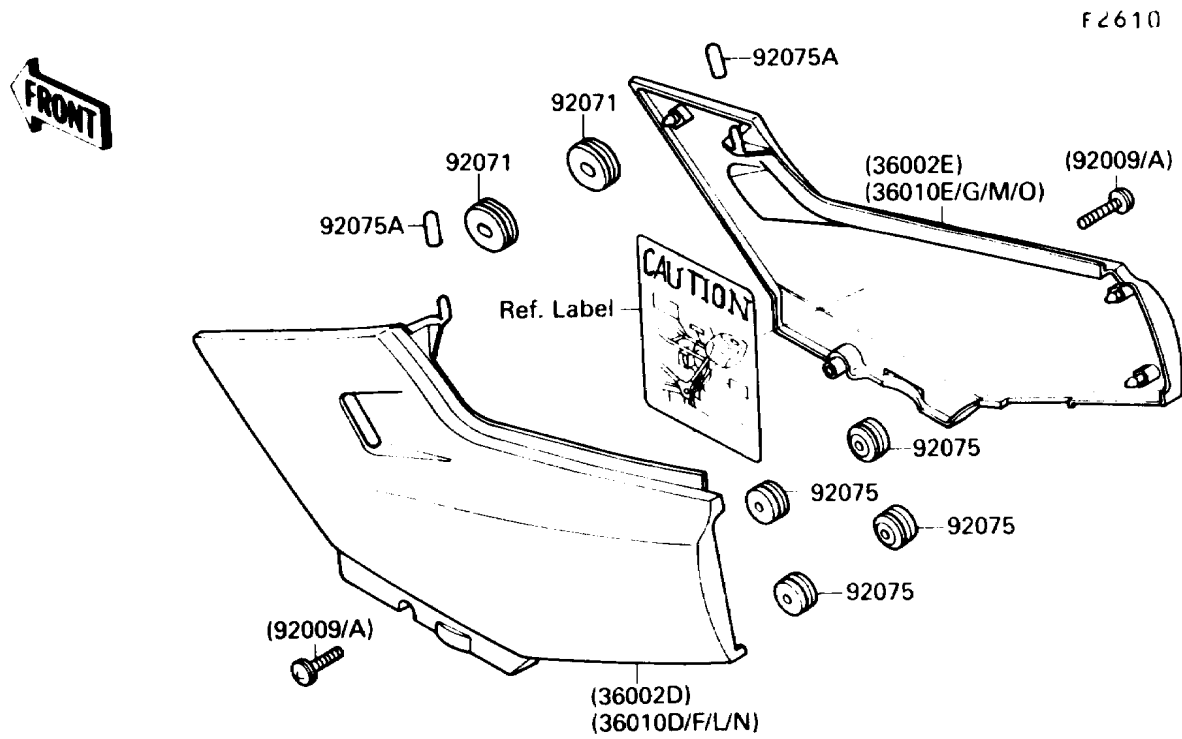


# 1988 NINJA® 250R

## PARTS DIAGRAM

### Side Covers/Chain Cover



# 1988 NINJA<sup>®</sup> 250R

## PARTS LIST

### Side Covers/Chain Cover

**ITEM NAME**

**PART NUMBER**

**QUANTITY**

---