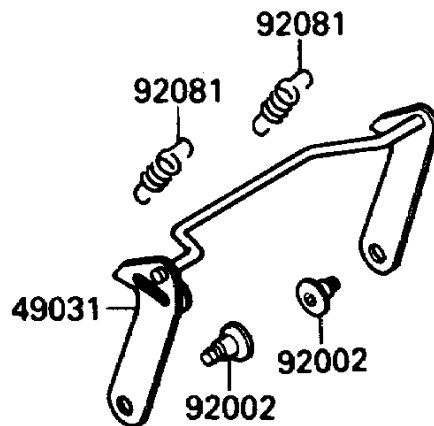
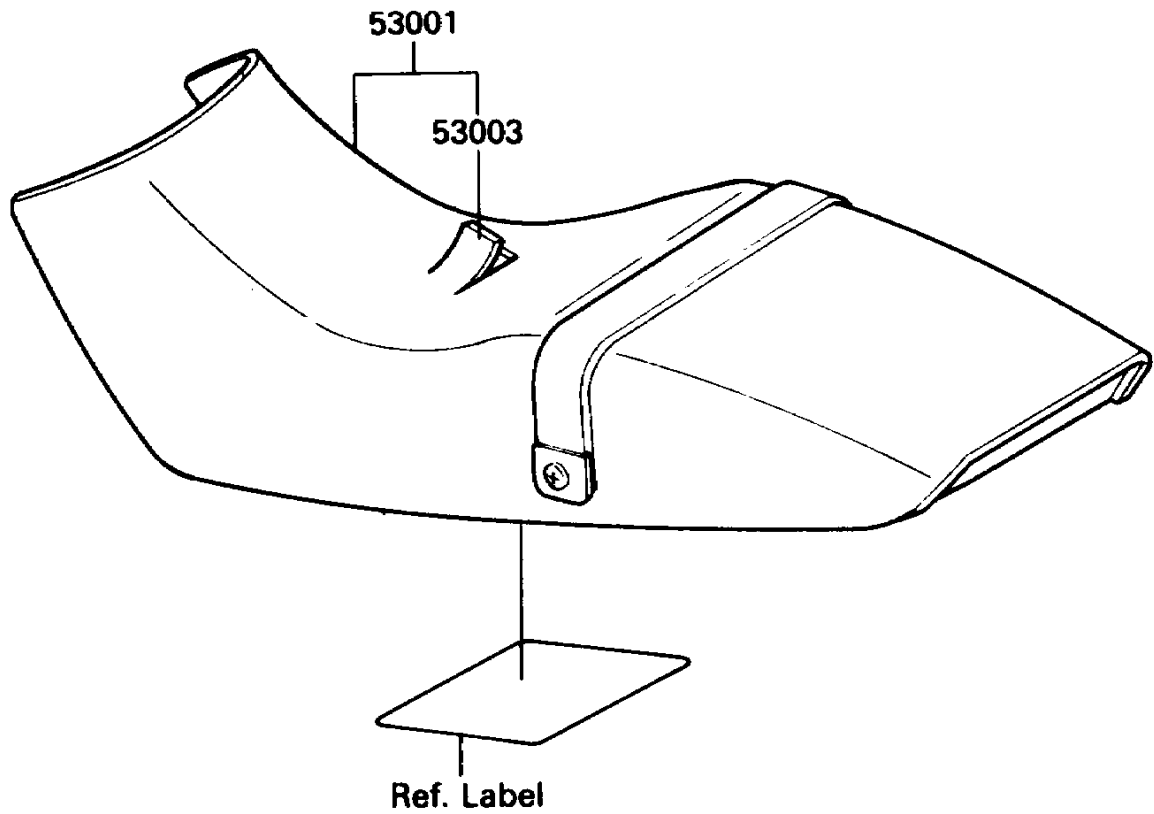


1988 NINJA[®] 250R

PARTS DIAGRAM

Seat

F2510



1988 NINJA® 250R

PARTS LIST

Seat

ITEM NAME

PART NUMBER

QUANTITY
