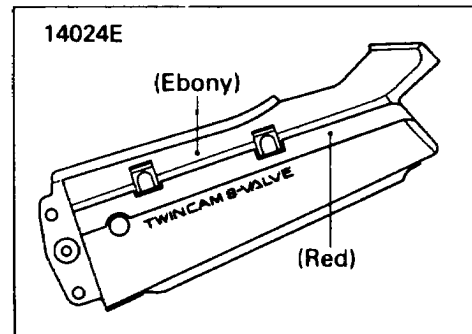
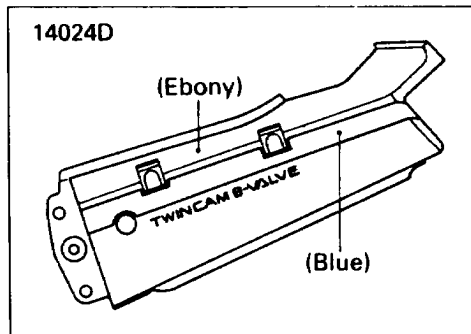
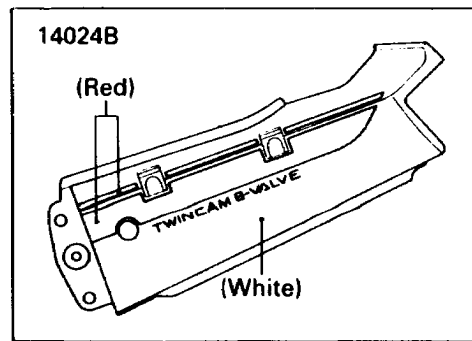
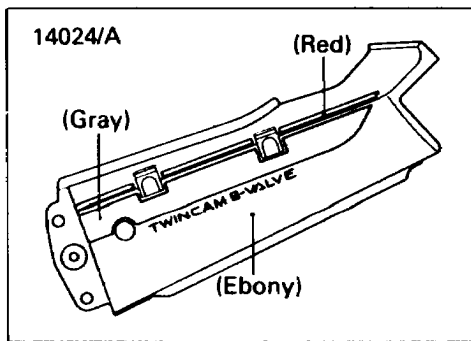
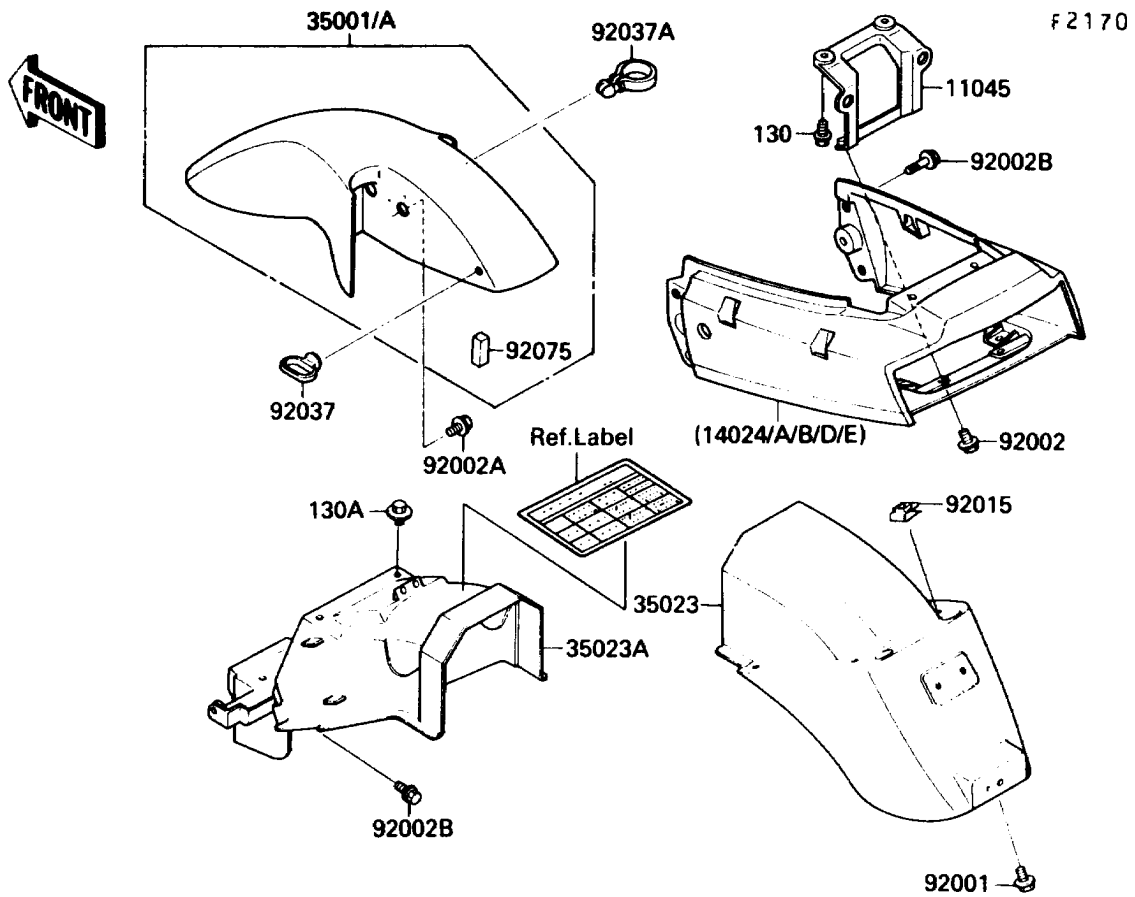


1990 Ninja[®] 250R

PARTS DIAGRAM

Fenders



1990 Ninja[®] 250R

PARTS LIST

Fenders

ITEM NAME

PART NUMBER

QUANTITY
