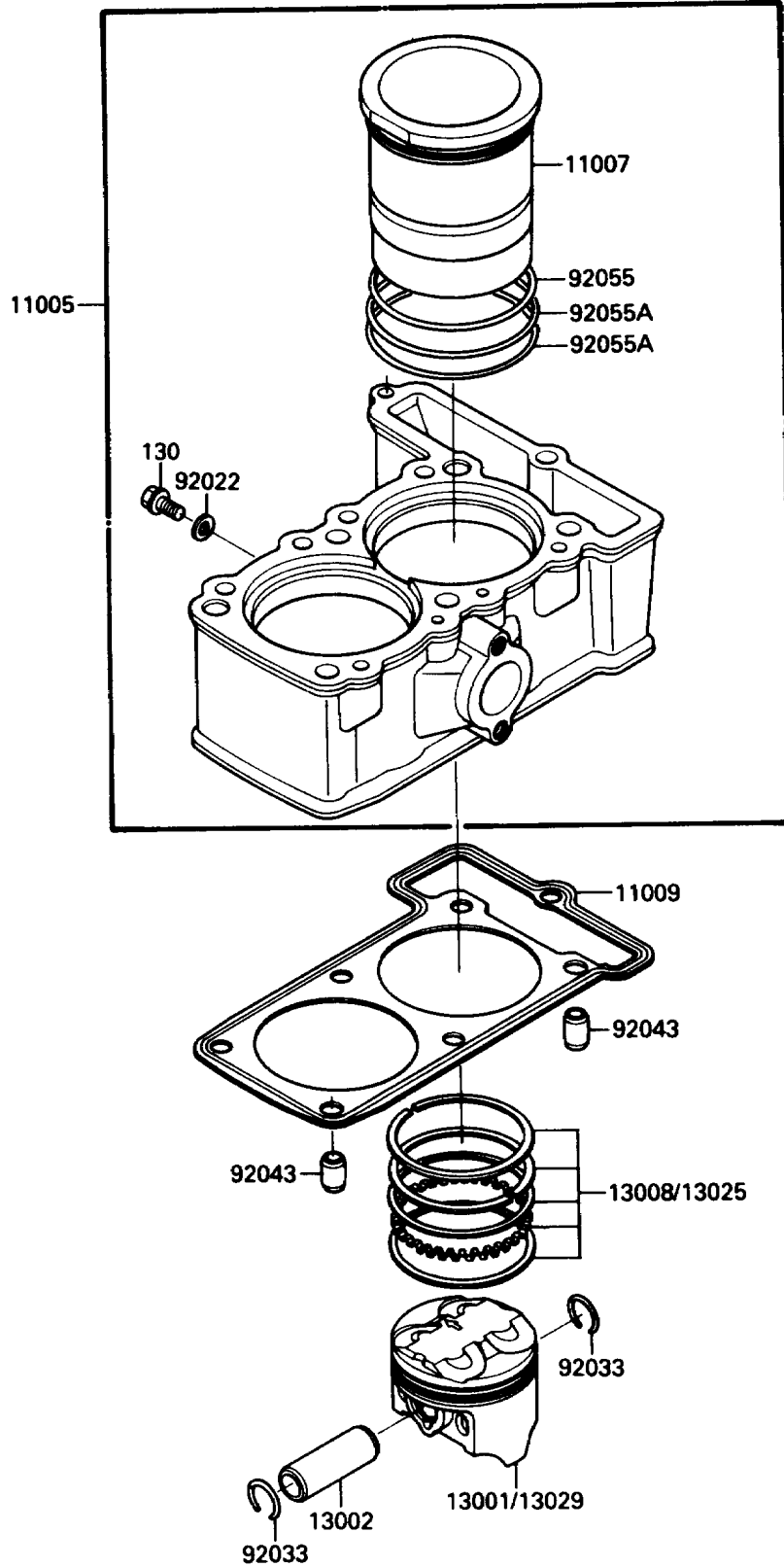


# 1988 NINJA<sup>®</sup> 250R

## PARTS DIAGRAM

### Cylinder/Piston(s)



# 1988 NINJA<sup>®</sup> 250R

## PARTS LIST

Cylinder/Piston(s)

**ITEM NAME**

**PART NUMBER**

**QUANTITY**

---