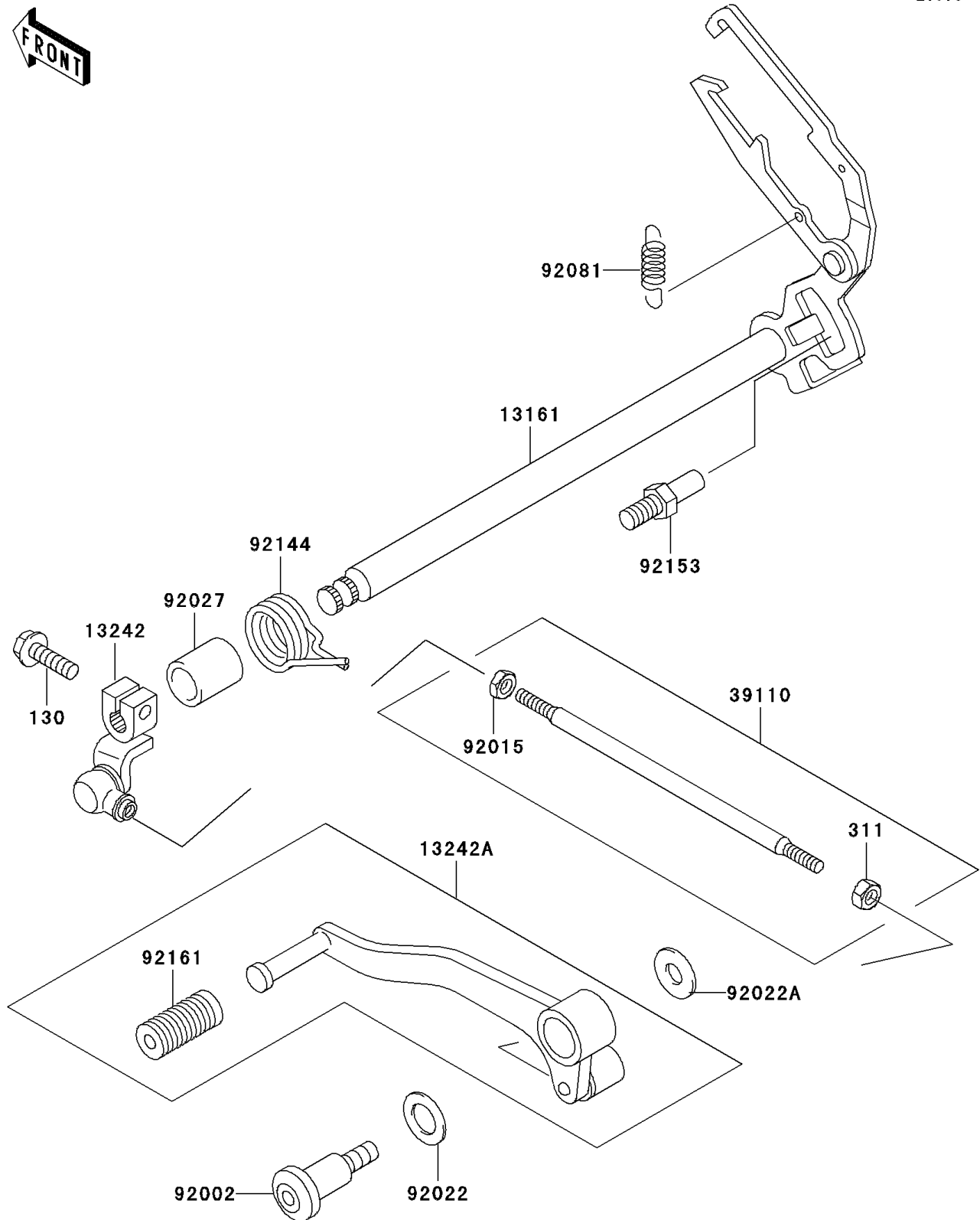


2001 Ninja[®] 250R

PARTS DIAGRAM

Gear Change Mechanism

E1370



2001 Ninja® 250R

PARTS LIST

Gear Change Mechanism

| ITEM NAME | PART NUMBER | QUANTITY |
|--|-------------|----------|
| BOLT-FLANGED,6X20,BLACK (Ref # 130) | 130S0620 | 1 |
| NUT-HEX (Ref # 311) | 311J0600 | 1 |
| LEVER-COMP-CHANGE SHAFT (Ref # 13161) | 13161-1131 | 1 |
| LEVER-ASSY-CHANGE (Ref # 13242) | 13242-1214 | 1 |
| LEVER-ASSY-CHANGE,PEDAL (Ref # 13242A) | 13242-1215 | 1 |
| ROD-ASSY-TIE (Ref # 39110) | 39110-1075 | 1 |
| BOLT,CHANGE PEDAL (Ref # 92002) | 92002-1926 | 1 |
| NUT,LEFT HANDED,6MM (Ref # 92015) | 92015-1178 | 1 |
| WASHER,12.5X21X1.2 (Ref # 92022) | 92022-072 | 1 |
| WASHER,8.5X20X1.6 (Ref # 92022A) | 92022-1561 | 1 |
| COLLAR,13X18.3X21.5 (Ref # 92027) | 92027-1440 | 1 |
| SPRING,CHANGE LEVER (Ref # 92081) | 92081-076 | 1 |
| SPRING,CHANGE PEDAL RETURN (Ref # 92144) | 92144-1074 | 1 |
| BOLT,8X15.5 (Ref # 92153) | 92153-0720 | 1 |
| DAMPER,CHANGE LEVER (Ref # 92161) | 92161-1300 | 1 |