

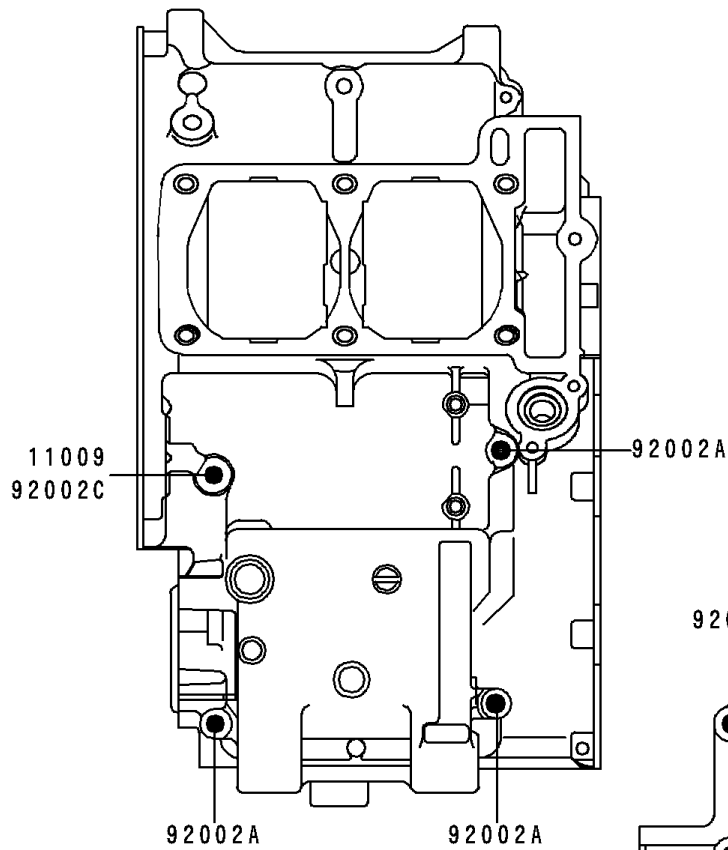
2000 Ninja[®] 250R

PARTS DIAGRAM

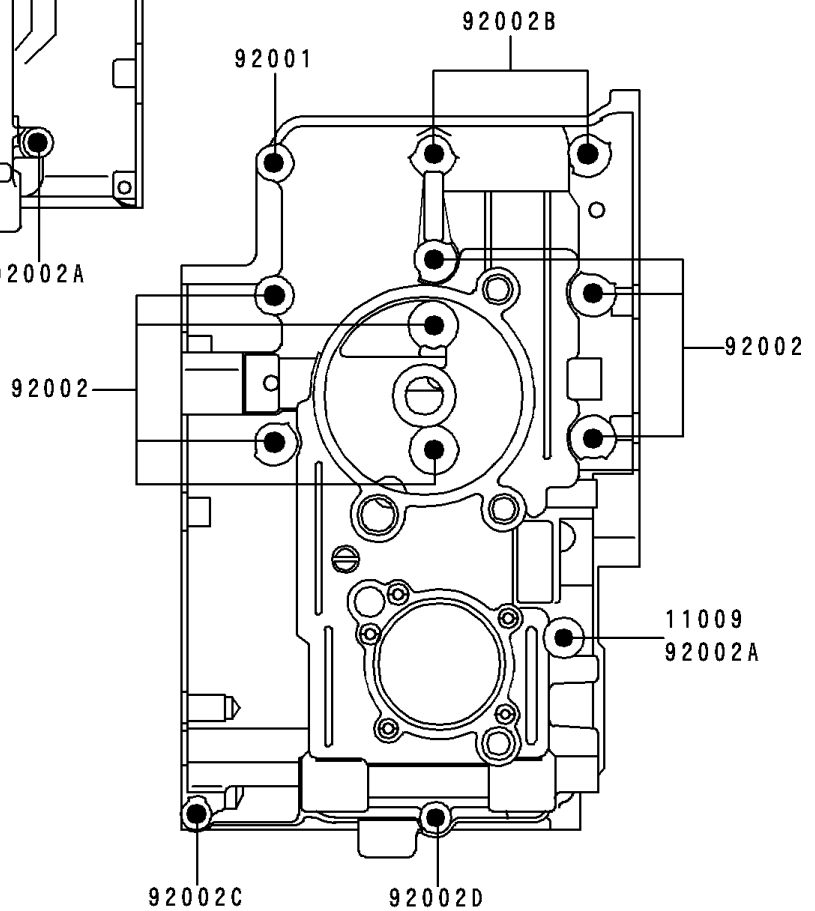
Crankcase Bolt Pattern

E1412

Upper Case



Lower Case



2000 Ninja[®] 250R

PARTS LIST

Crankcase Bolt Pattern

ITEM NAME

PART NUMBER

QUANTITY
