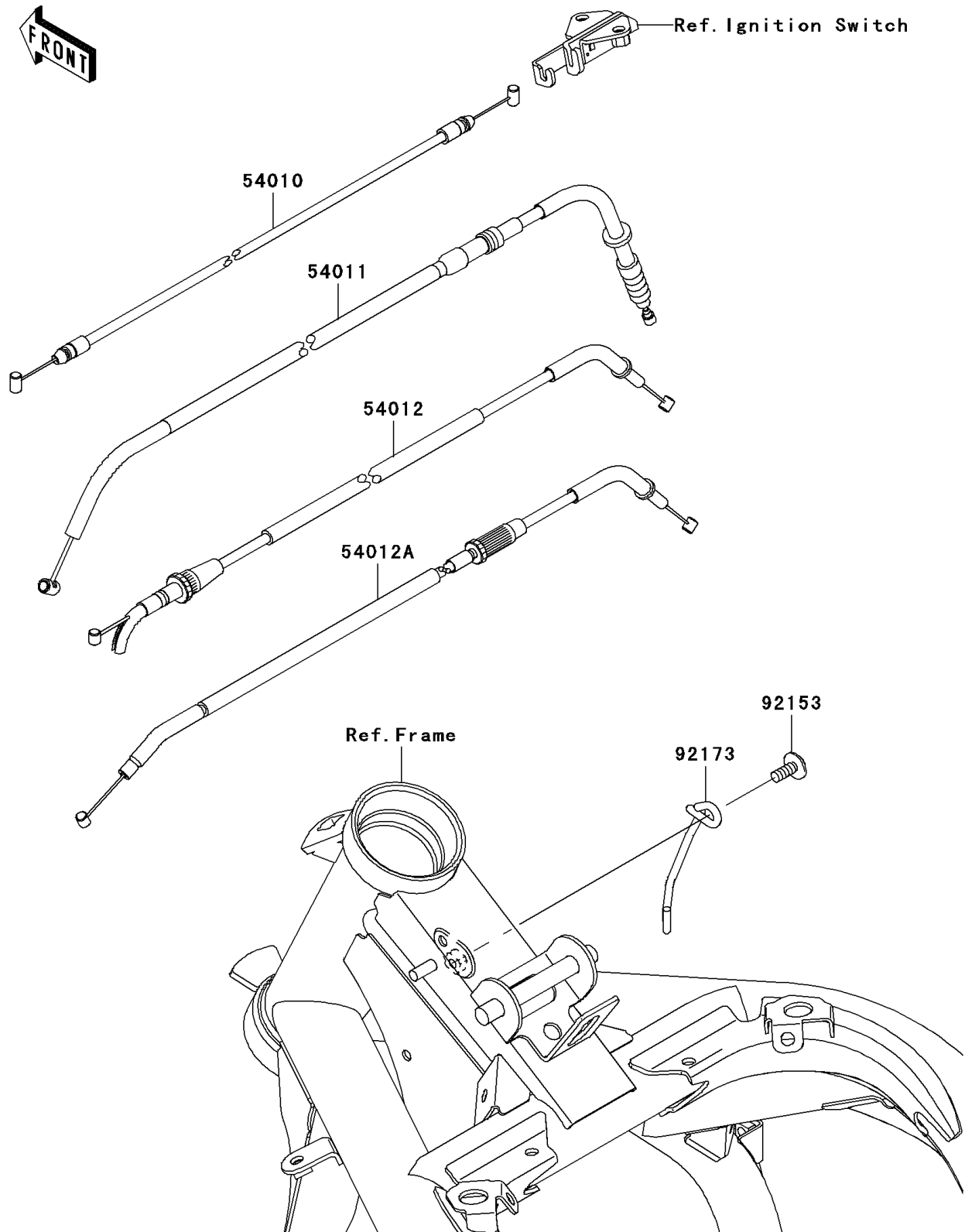


2011 ER-6n (European)

PARTS DIAGRAM

Cables

F2540



2011 ER-6n (European)

PARTS LIST

Cables

ITEM NAME	PART NUMBER	QUANTITY
-----------	-------------	----------
