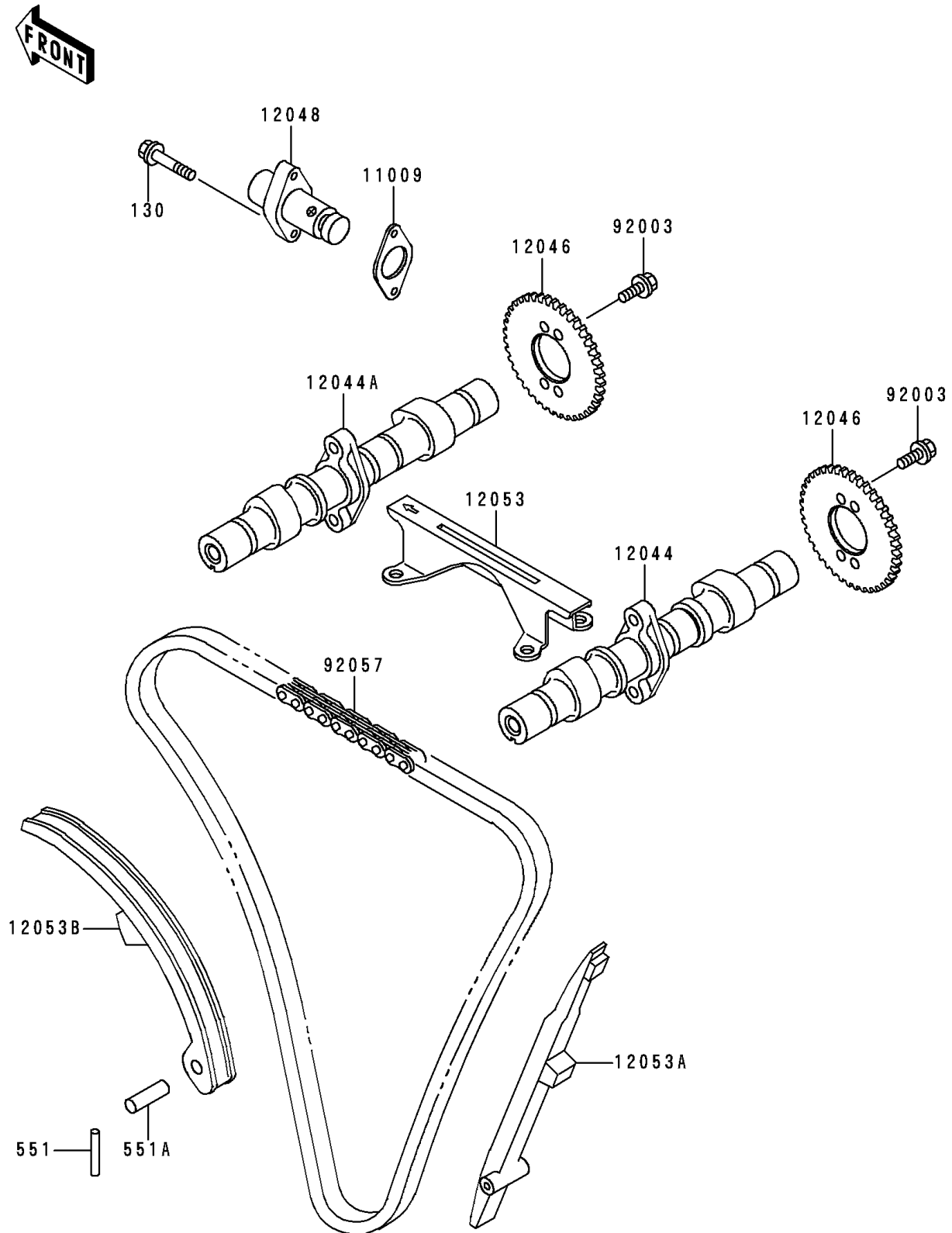


2000 Vulcan 500 LTD

PARTS DIAGRAM

Camshaft(s)/Tensioner

E1230



2000 Vulcan 500 LTD

PARTS LIST

Camshaft(s)/Tensioner

ITEM NAME

PART NUMBER

QUANTITY
