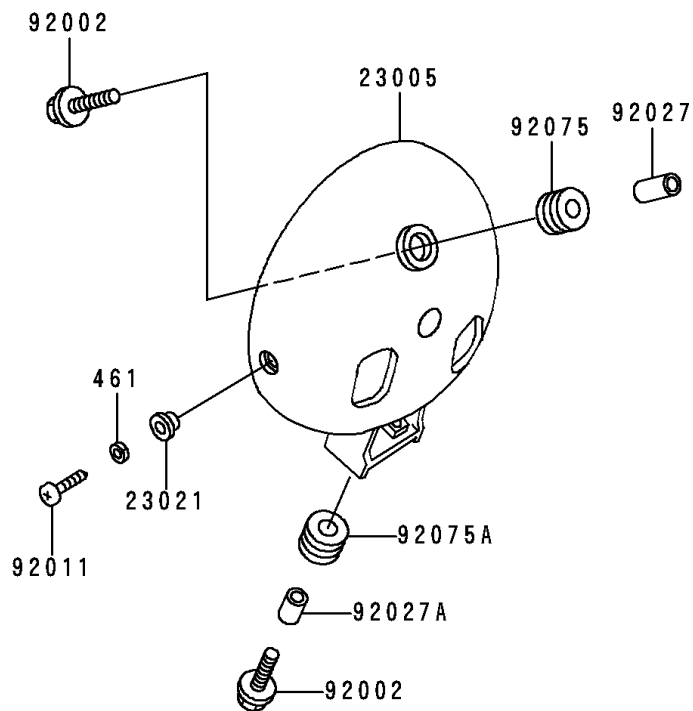
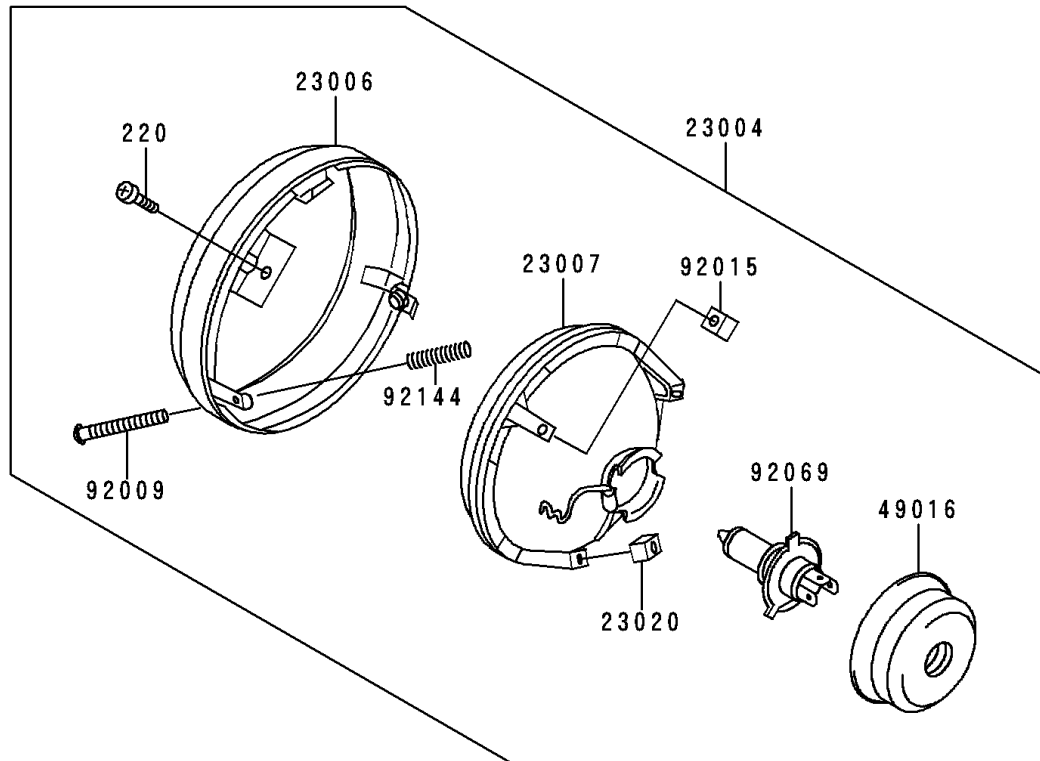


# 1994 Vulcan 500

## PARTS DIAGRAM

### Headlight

F2710



# 1994 Vulcan 500

## PARTS LIST

### Headlight

**ITEM NAME**

**PART NUMBER**

**QUANTITY**

---