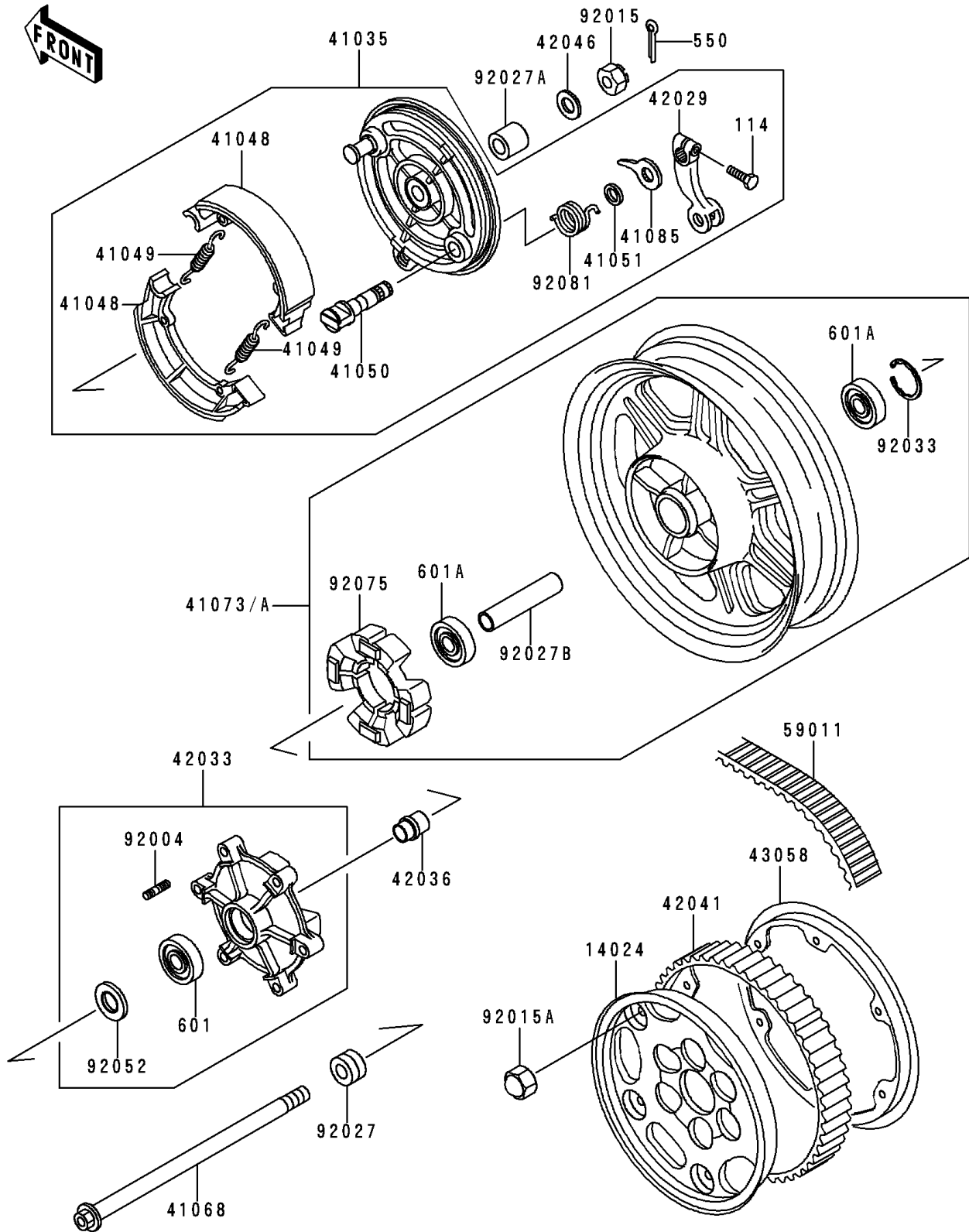


# 1993 Vulcan 500

## PARTS DIAGRAM

### Rear Wheel/Chain/Coupling

F2240



# 1993 Vulcan 500

## PARTS LIST

### Rear Wheel/Chain/Coupling

| ITEM NAME                                 | PART NUMBER   | QUANTITY |
|-------------------------------------------|---------------|----------|
| BOLT-SMALL,8X28 (Ref # 114)               | 114G0828      | 1        |
| PIN-COTTER,4.0X35 (Ref # 550)             | 550D4035      | 1        |
| BEARING-BALL,#6205G (Ref # 601)           | 601B6205G     | 1        |
| BEARING-BALL,#6303ZZC3 (Ref # 601A)       | 601B6303ZZ    | 2        |
| COVER,HUB SPROCKET,OUTSIDE (Ref # 14024)  | 14024-1873    | 1        |
| PANEL-ASSY-BRAKE,RR (Ref # 41035)         | 41035-1277    | 1        |
| SHOE-BRAKE (Ref # 41048)                  | 41048-1070    | 2        |
| SPRING,BRAKE SHOE (Ref # 41049)           | 41049-012     | 2        |
| CAM-BRAKE (Ref # 41050)                   | 41050-017     | 1        |
| SEAL,BRAKE CAM (Ref # 41051)              | 41051-003     | 1        |
| AXLE,RR (Ref # 41068)                     | 41068-1205    | 1        |
| WHEEL-ASSY,RR,C.GRAY+CLEAR (Ref # 41073A) | 41073-1493-JD | 1        |
| INDICATOR (Ref # 41085)                   | 41085-1054    | 1        |
| LEVER-BRAKE CAM (Ref # 42029)             | 42029-039     | 1        |
| COUPLING-ASSY,RR HUB (Ref # 42033)        | 42033-1138    | 1        |
| SLEEVE,RR HUB,L=33 (Ref # 42036)          | 42036-1146    | 1        |
| SPROCKET-HUB,68T (Ref # 42041)            | 42041-1195    | 1        |
| WASHER,17.3X32X3.2 (Ref # 42046)          | 42046-009     | 1        |
| RING,HUB SPROCKET (Ref # 43058)           | 43058-1054    | 1        |
| BELT,DRIVE,137T (Ref # 59011)             | 59011-1012    | 1        |
| STUD,10X27 (Ref # 92004)                  | 92004-1145    | 6        |
| NUT,16MM (Ref # 92015)                    | 92015-055     | 1        |
| NUT,CAP,10MM (Ref # 92015A)               | 92015-1685    | 6        |
| COLLAR,REAR AXLE,LH,L=23.5 (Ref # 92027)  | 92027-1368    | 1        |
| COLLAR,REAR AXLE,RH,L=18.5 (Ref # 92027A) | 92027-1484    | 1        |
| COLLAR,17.2X25X101 (Ref # 92027B)         | 92027-1863    | 1        |
| RING-SNAP,47MM (Ref # 92033)              | 92033-1042    | 1        |
| SEAL-OIL,TWC35527 (Ref # 92052)           | 92052-006     | 1        |
| DAMPER,SHOCK,RR HUB (Ref # 92075)         | 92075-1687    | 1        |

# 1993 Vulcan 500

## PARTS LIST

### Rear Wheel/Chain/Coupling

| ITEM NAME                                   | PART NUMBER | QUANTITY |
|---------------------------------------------|-------------|----------|
| SPRING,BRAKE CAM LEVER RETURN (Ref # 92081) | 92081-1814  | 1        |