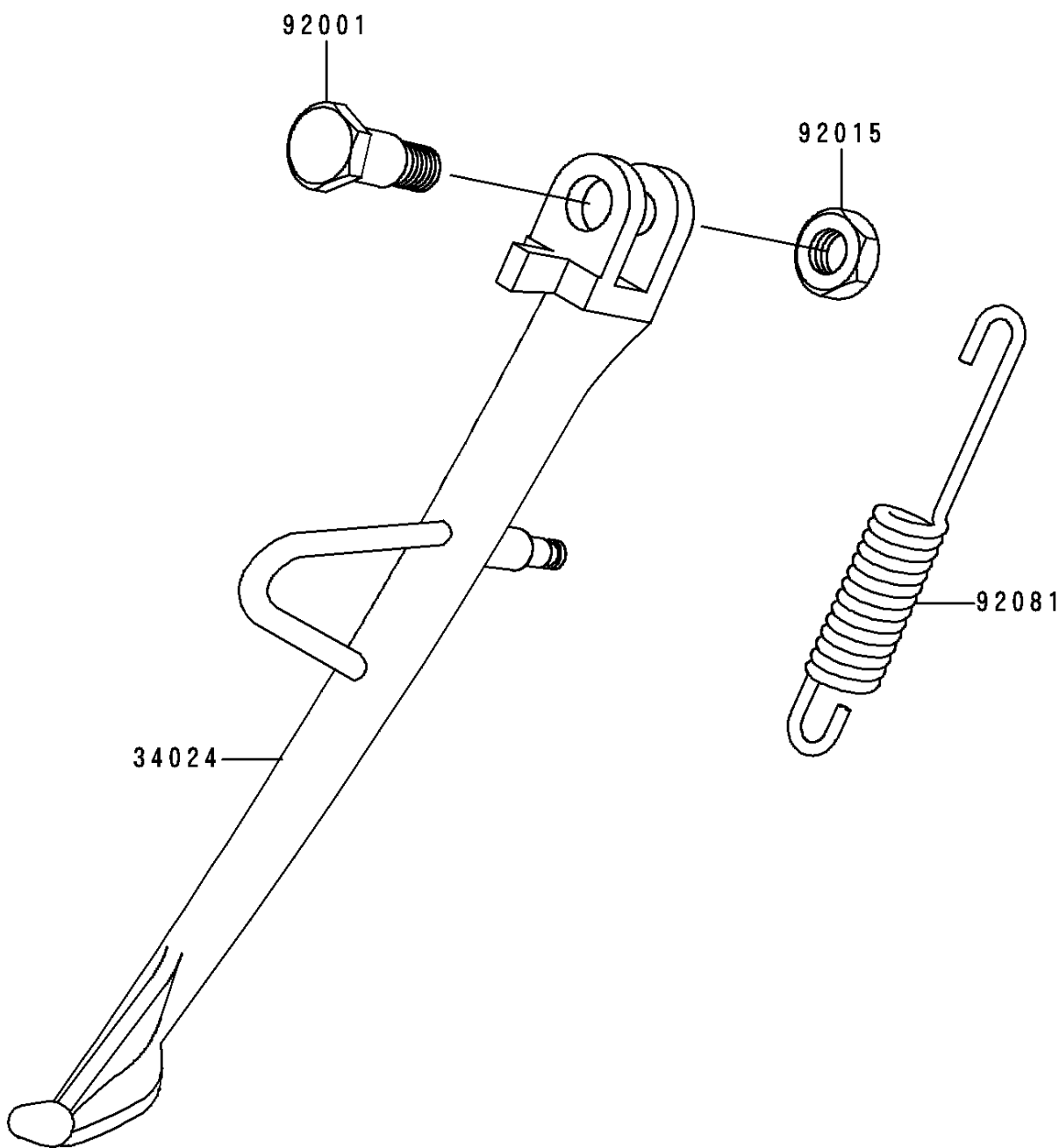


1990 Vulcan 500

PARTS DIAGRAM

Stands



1990 Vulcan 500

PARTS LIST

Stands

ITEM NAME

PART NUMBER

QUANTITY
