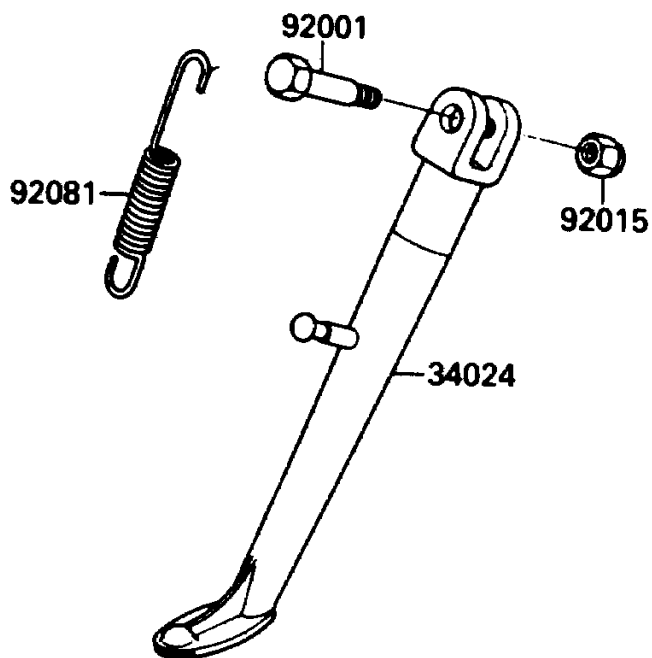


# 1988 Eliminator

## PARTS DIAGRAM

Stand(s)

F2190-0209



# 1988 Eliminator

## PARTS LIST

Stand(s)

**ITEM NAME**

**PART NUMBER**

**QUANTITY**

---