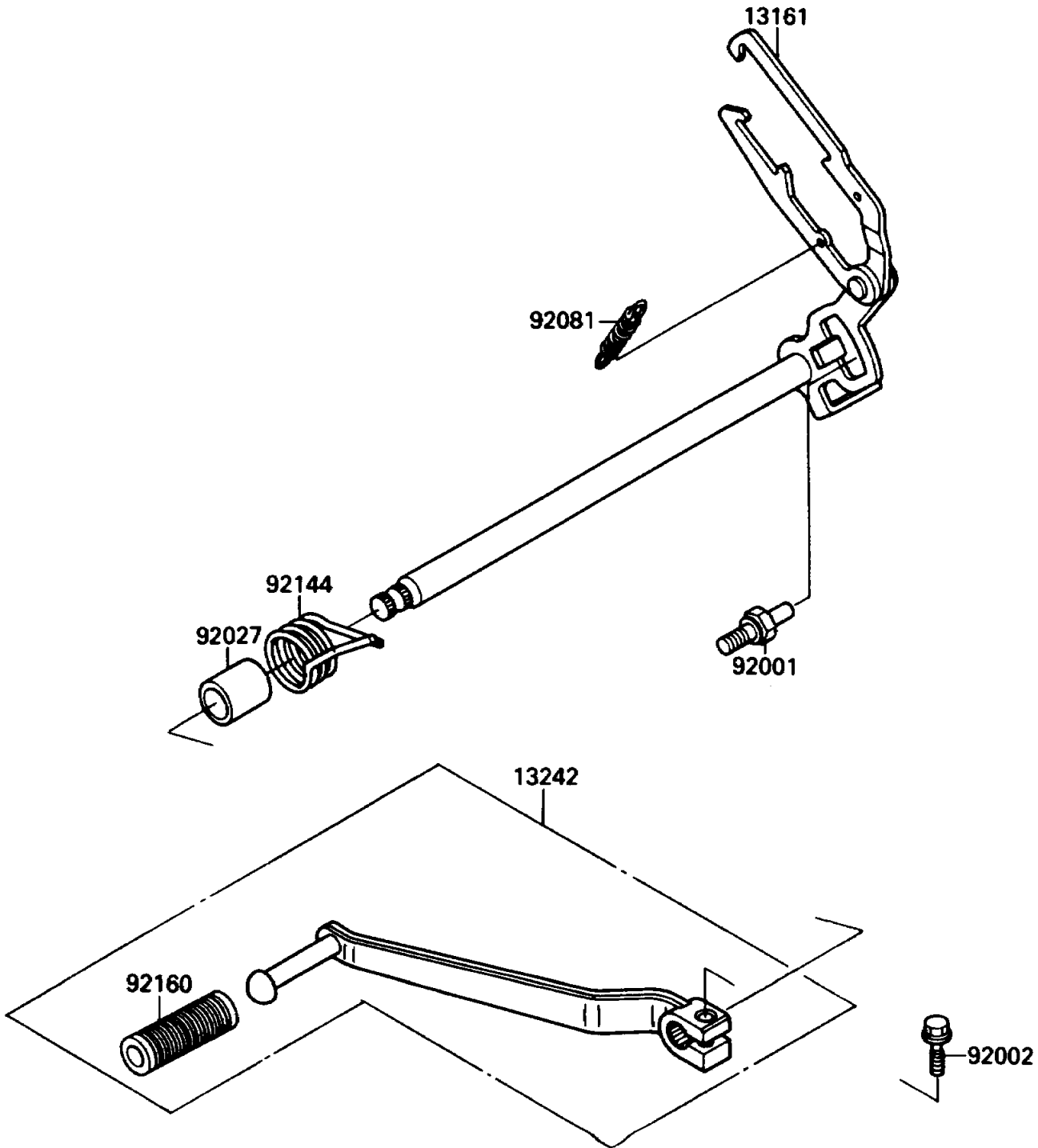


1988 Eliminator

PARTS DIAGRAM

Gear Change Mechanism

E1370-0182



1988 Eliminator

PARTS LIST

Gear Change Mechanism

ITEM NAME

PART NUMBER

QUANTITY
