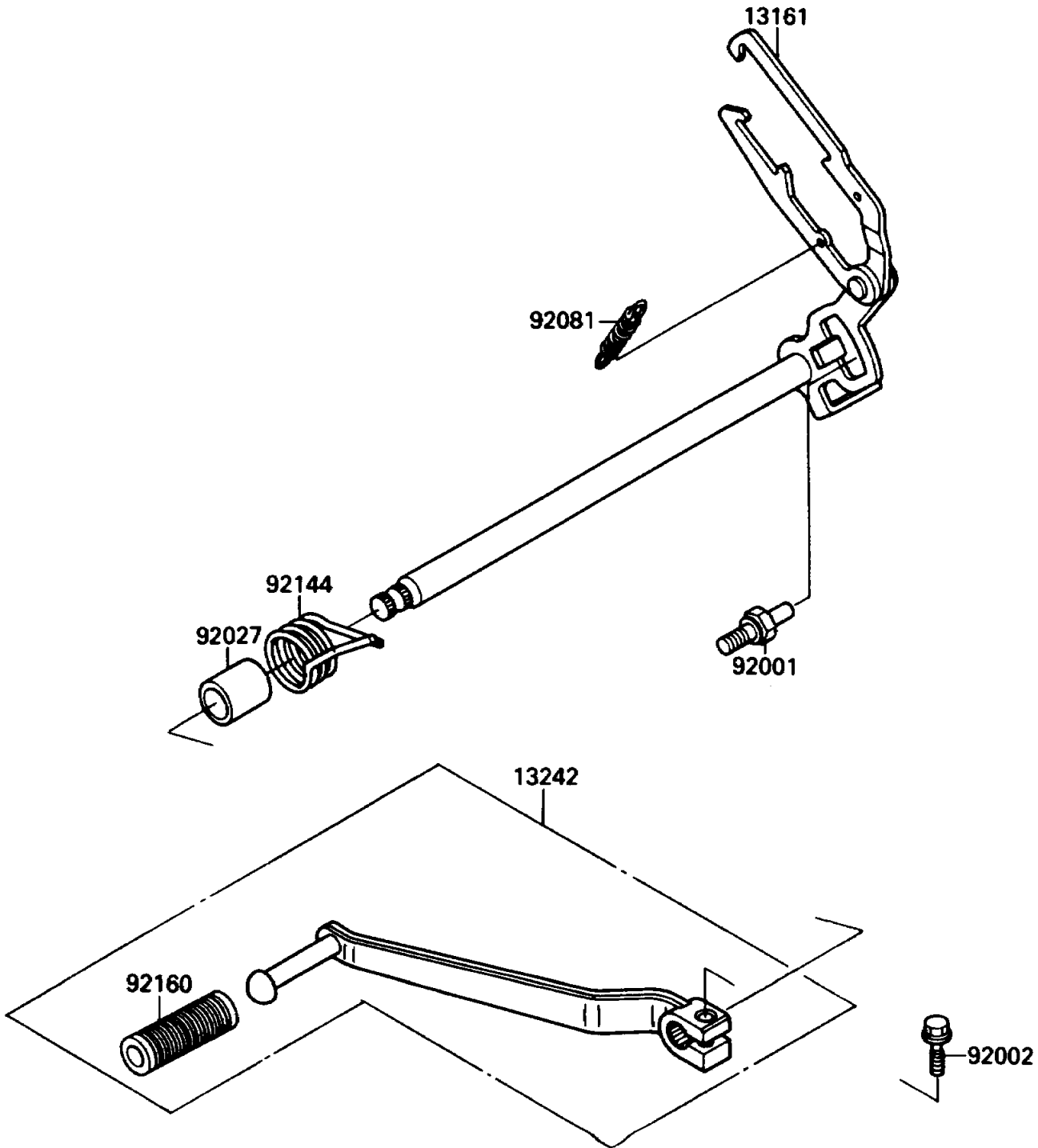


1989 Eliminator

PARTS DIAGRAM

Gear Change Mechanism

E1370-0182



1989 Eliminator

PARTS LIST

Gear Change Mechanism

Kawasaki

Let the Good Times Roll®

ITEM NAME

PART NUMBER

QUANTITY
