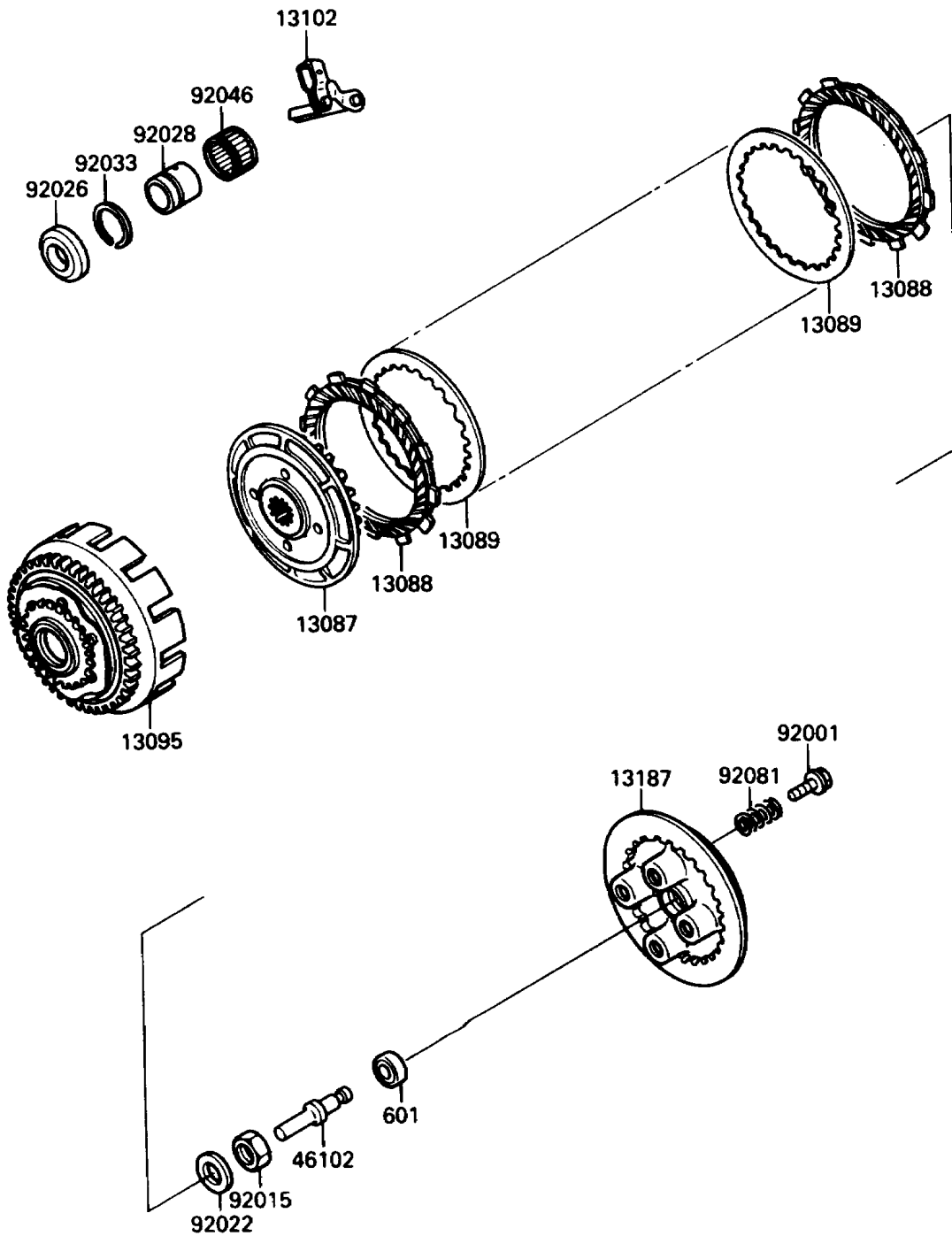


# 1988 Eliminator

## PARTS DIAGRAM

### Clutch

E1350-0132



# 1988 Eliminator

## PARTS LIST

### Clutch

**ITEM NAME**

**PART NUMBER**

**QUANTITY**

---