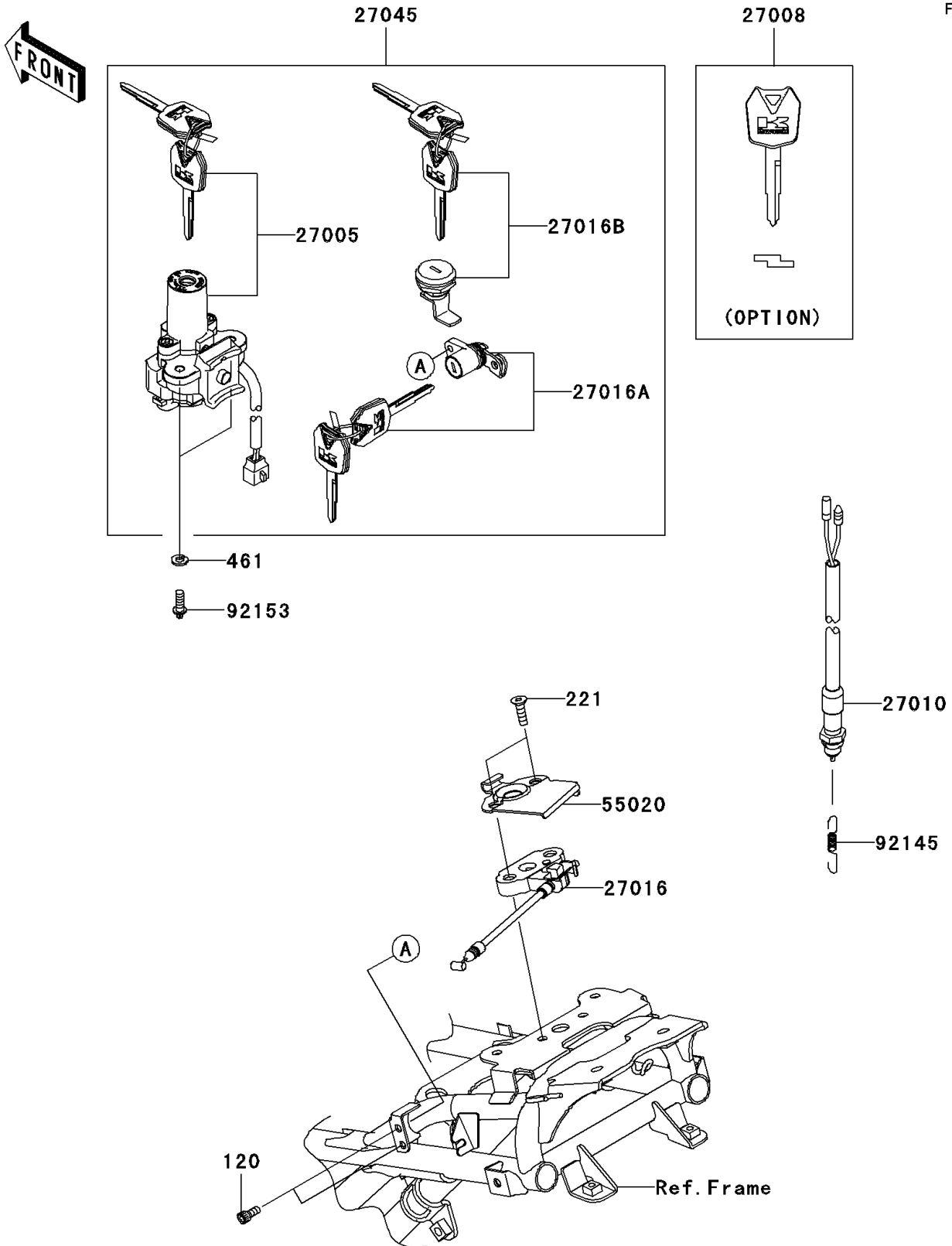


2010 Fury 125R

PARTS DIAGRAM

Ignition Switch



2010 Fury 125R

PARTS LIST

Ignition Switch

| ITEM NAME | PART NUMBER | QUANTITY |
|--|-------------|----------|
| BOLT-SOCKET,5X12 (Ref # 120) | 120CB0512 | 2 |
| SCREW-CSK-CROSS,6X25 (Ref # 221) | 221AA0625 | 2 |
| WASHER-SPRING,6MM (Ref # 461) | 461DA0600 | 2 |
| SWITCH-ASSY-IGNITION (Ref # 27005) | 27005-5146 | 1 |
| KEY-LOCK,BLANK (Ref # 27008) | 27008-0053 | 1 |
| SWITCH,REAR BRAKE (Ref # 27010) | 27010-0044 | 1 |
| LOCK-ASSY,SEAT STRIKER (Ref # 27016) | 27016-0025 | 1 |
| LOCK-ASSY,SEAT (Ref # 27016A) | 27016-5353 | 1 |
| LOCK-ASSY,FUEL TANK COVER (Ref # 27016B) | 27016-5354 | 1 |
| SWITCH-ASSY (Ref # 27045) | 27045-5389 | 1 |
| GUARD,SEAT LOCK (Ref # 55020) | 55020-0497 | 1 |
| SPRING,REAR BRAKE (Ref # 92145) | 92145-0646 | 1 |
| BOLT,TORX,6X16 (Ref # 92153) | 92153-0967 | 2 |