

2010 Fury 125R

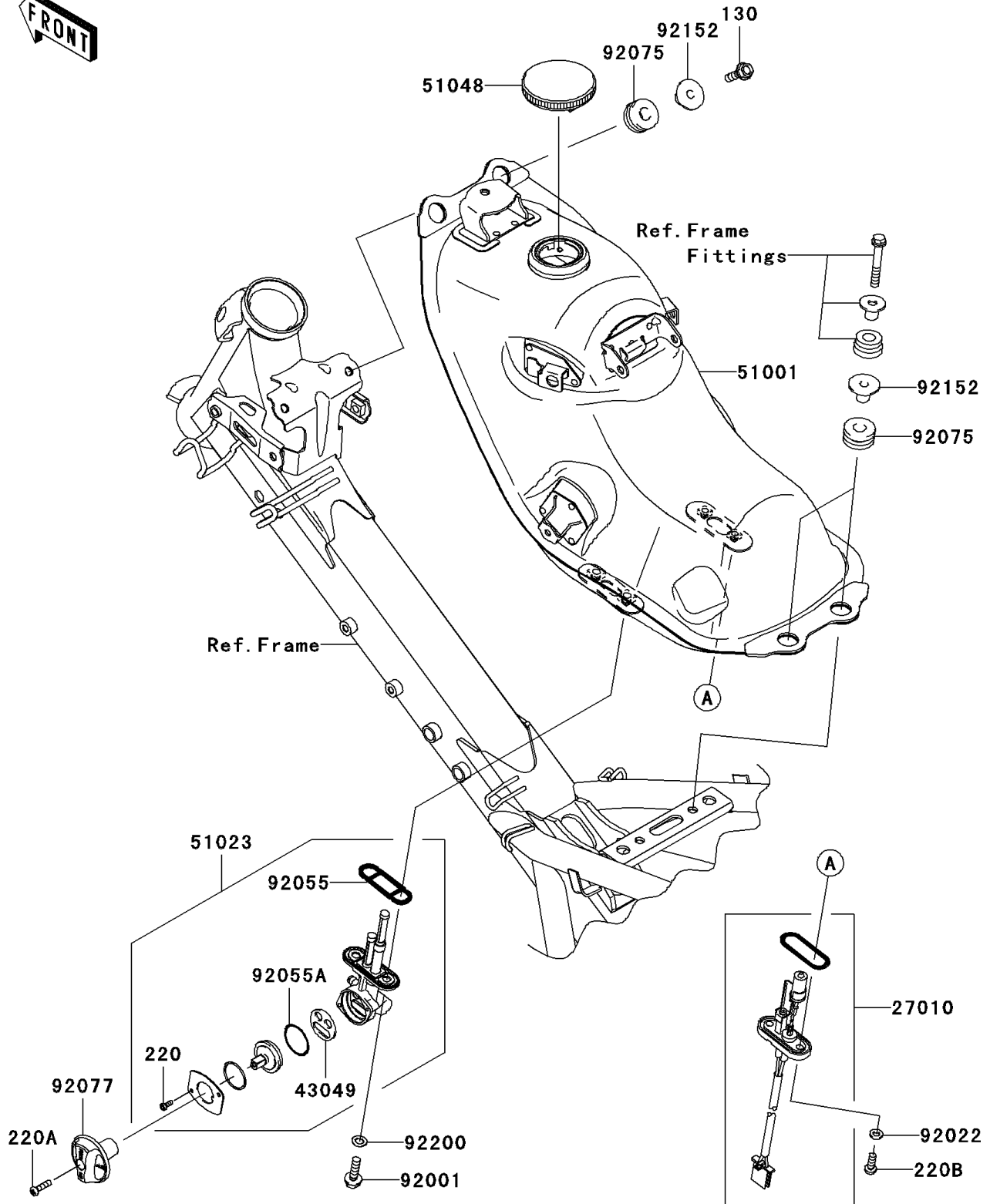
PARTS DIAGRAM

Fuel Tank

Kawasaki

Let the Good Times Roll®

F2410



2010 Fury 125R

PARTS LIST

Fuel Tank

| ITEM NAME | PART NUMBER | QUANTITY |
|---------------------------------------|-------------|----------|
| BOLT-FLANGED,6X22 (Ref # 130) | 130BB0622 | 2 |
| SCREW-PAN-CROS,3X8 (Ref # 220) | 220AA0308 | 2 |
| SCREW-PAN-CROSS,4X16 (Ref # 220A) | 220AB0416 | 1 |
| SCREW-PAN-CROS,5X14 (Ref # 220B) | 220AD0514 | 2 |
| SWITCH,FUEL LEVEL (Ref # 27010) | 27010-0077 | 1 |
| PACKING,TAP VALVE (Ref # 43049) | 43049-1091 | 1 |
| TANK-COMP-FUEL (Ref # 51001) | 51001-0287 | 1 |
| TAP-ASSY,FUEL (Ref # 51023) | 51023-0029 | 1 |
| CAP-ASSY-TANK (Ref # 51048) | 51048-1119 | 1 |
| BOLT,6X20 (Ref # 92001) | 92001-1091 | 2 |
| WASHER,5.2X10X1.5 (Ref # 92022) | 92022-1023 | 2 |
| RING-O,FUEL TAP PACKING (Ref # 92055) | 92055-1112 | 1 |
| RING-O,TAP LEVER (Ref # 92055A) | 92055-1419 | 1 |
| DAMPER (Ref # 92075) | 92075-1690 | 4 |
| KNOB,FUEL TAP (Ref # 92077) | 92077-0009 | 1 |
| COLLAR (Ref # 92152) | 92152-0697 | 4 |
| WASHER,6.5X11.5X0.8 (Ref # 92200) | 92200-0117 | 2 |