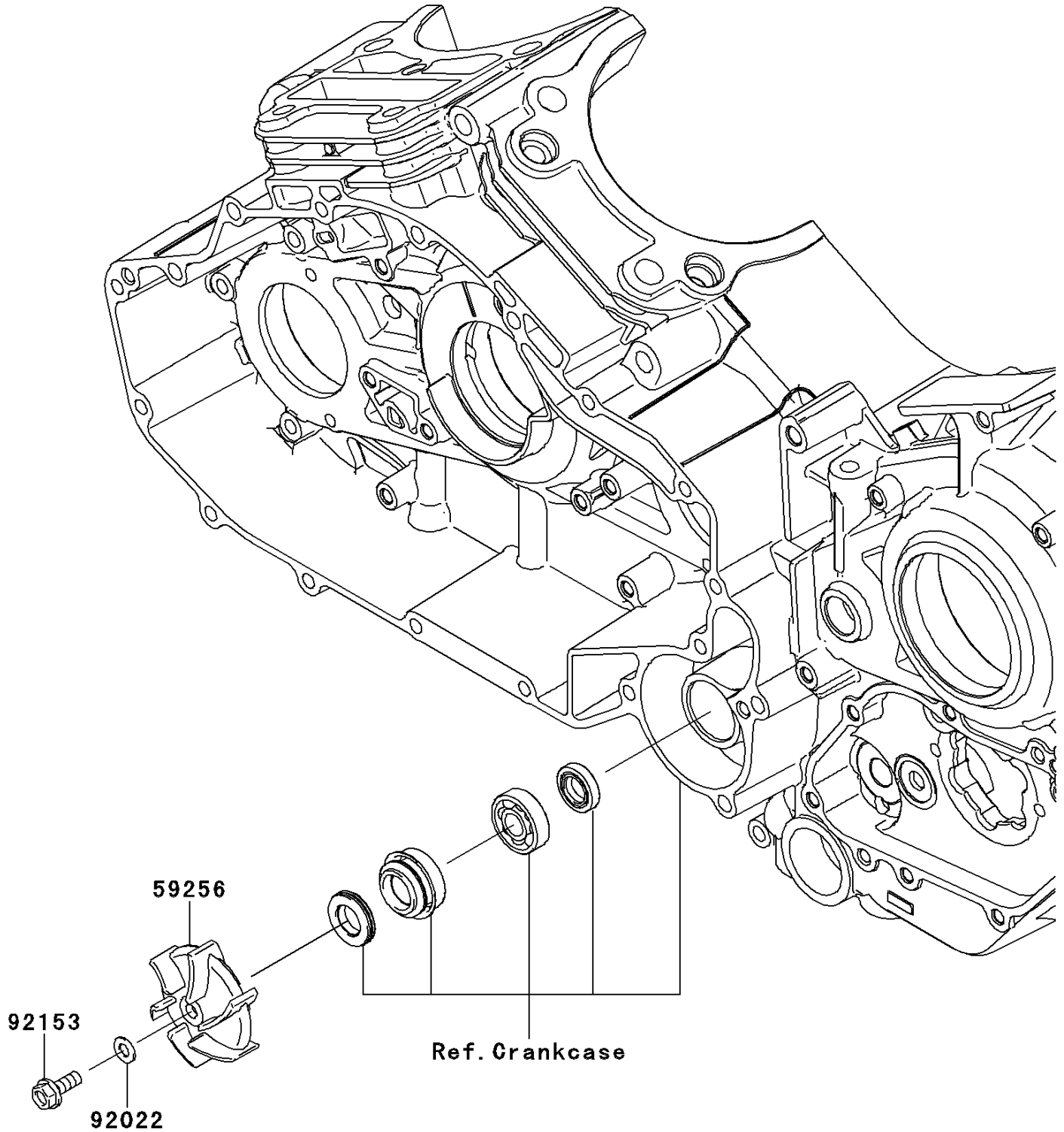


# 2014 VULCAN® 1700 NOMAD™ ABS

## PARTS DIAGRAM

### Water Pump

E3031



# 2014 VULCAN® 1700 NOMAD™ ABS



## PARTS LIST

### Water Pump

ITEM NAME	PART NUMBER	QUANTITY
-----------	-------------	----------

---