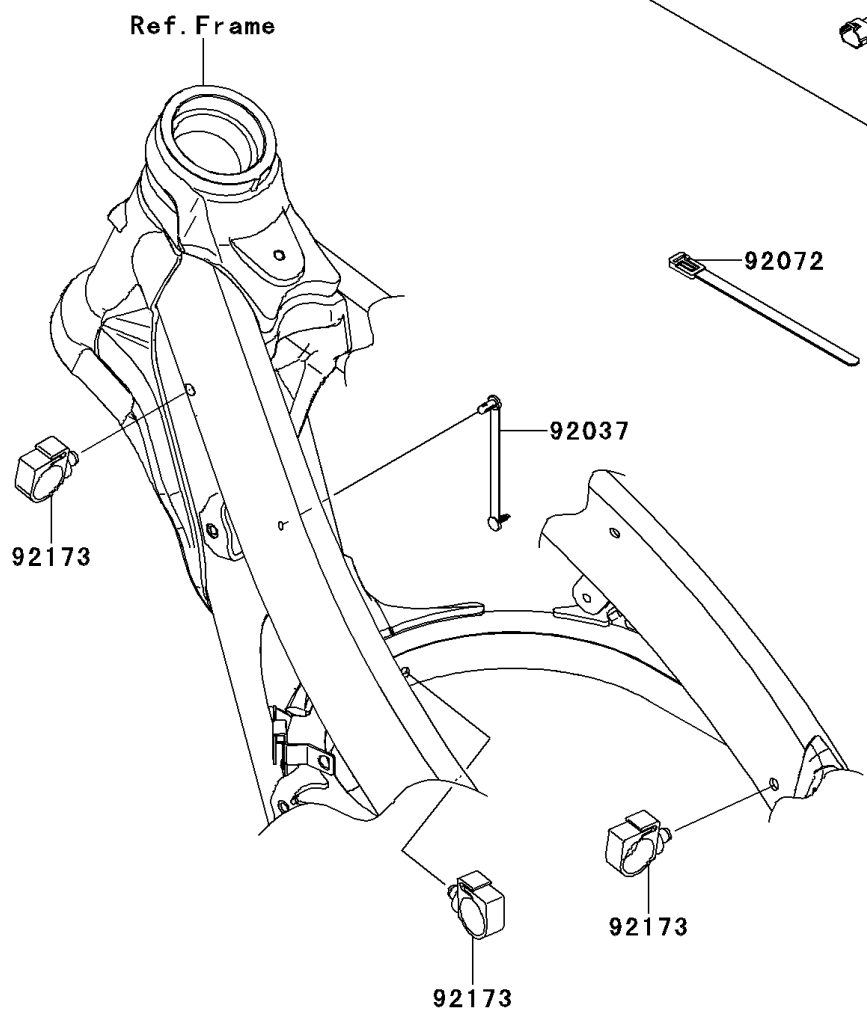
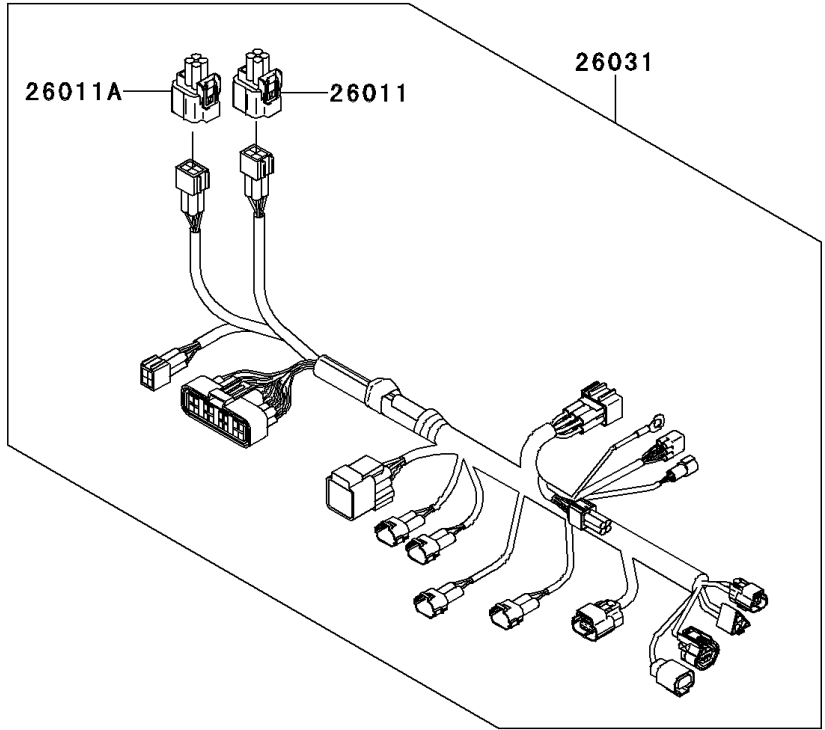
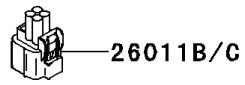


# 2013 KX™ 450F PARTS DIAGRAM

Chassis Electrical Equipment

F2760



## 2013 KX™ 450F PARTS LIST

### Chassis Electrical Equipment

ITEM NAME	PART NUMBER	QUANTITY
WIRE-LEAD,NATURAL (Ref # 26011)	26011-0273	1
WIRE-LEAD,GREEN (Ref # 26011A)	26011-0727	1
WIRE-LEAD,MODE SELECT,BLACK (Ref # 26011B)	26011-0728	1
WIRE-LEAD,MODE SELECT,WHITE (Ref # 26011C)	26011-0748	1
HARNESS,MAIN (Ref # 26031)	26031-1357	1
CLAMP,SPEED,L=80.5 (Ref # 92037)	92037-1903	1
BAND,L=140 (Ref # 92072)	92072-1293	1
CLAMP (Ref # 92173)	92173-0861	3