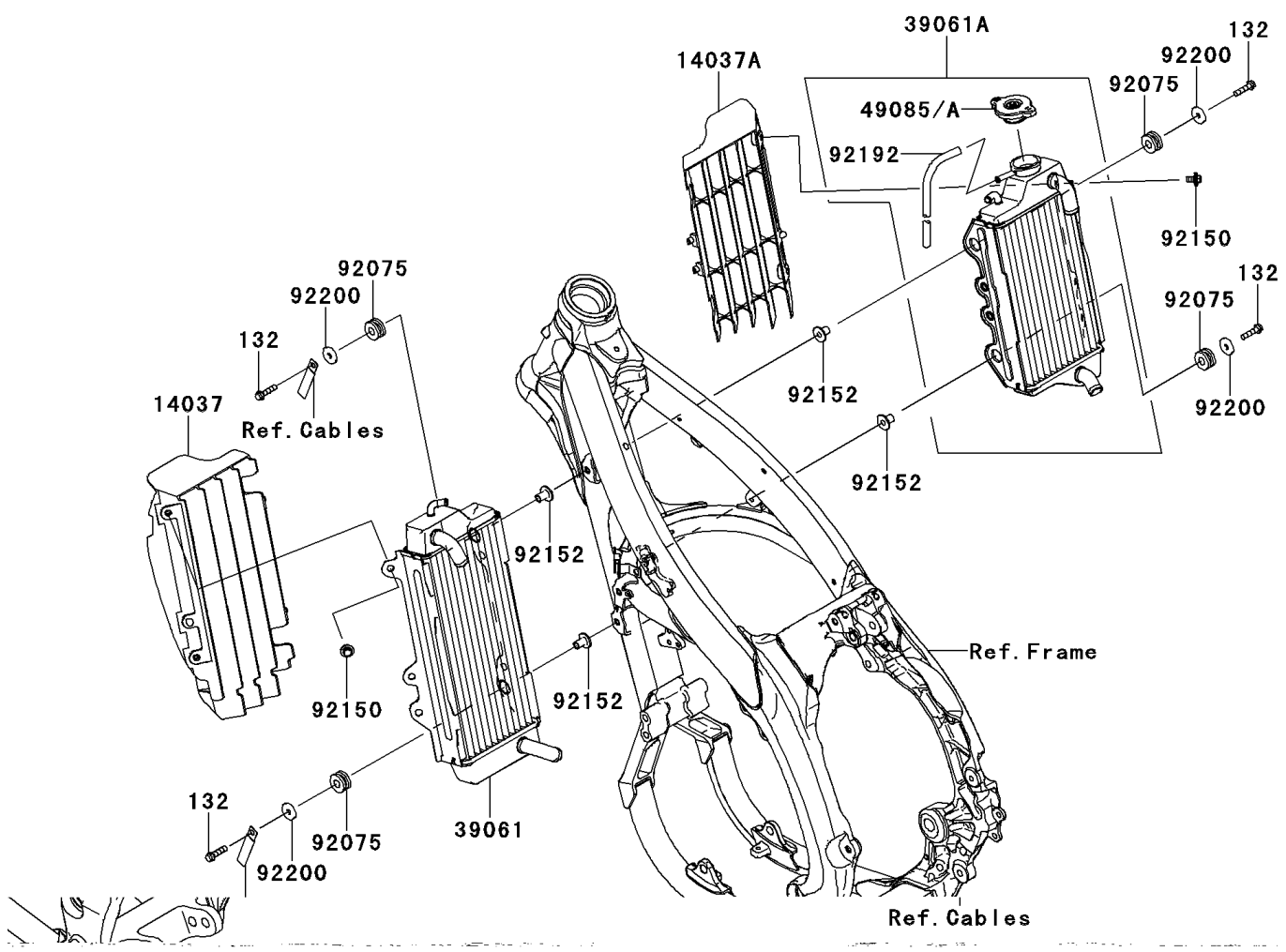


2013 KX™ 450F PARTS DIAGRAM

Radiator

E3032



2013 KX™ 450F PARTS LIST

Radiator

ITEM NAME	PART NUMBER	QUANTITY
BOLT-FLANGED-SMALL,6X25 (Ref # 132)	132BB0625	4
SCREEN,LH,EBONY (Ref # 14037)	14037-0117-6C	1
SCREEN,RH,EBONY (Ref # 14037A)	14037-0118-6C	1
RADIATOR-ASSY,LH (Ref # 39061)	39061-0218	1
RADIATOR-ASSY,RH (Ref # 39061A)	39061-0571	1
CAP-ASSY-PRESSURE,P1.1 (Ref # 49085)	49085-1070	1
CAP-ASSY-PRESSURE (Ref # 49085A)	49085-1078	1
DAMPER (Ref # 92075)	92075-209	4
BOLT,6X12 (Ref # 92150)	92150-1435	2
COLLAR (Ref # 92152)	92152-0666	4
TUBE,6X9X640 (Ref # 92192)	92192-0167	1
WASHER,6.5X22X2.3 (Ref # 92200)	92200-0271	4