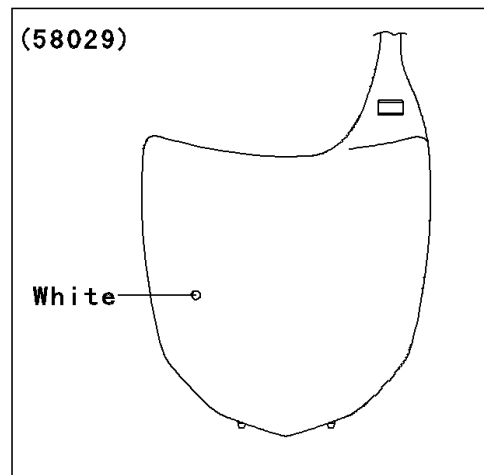
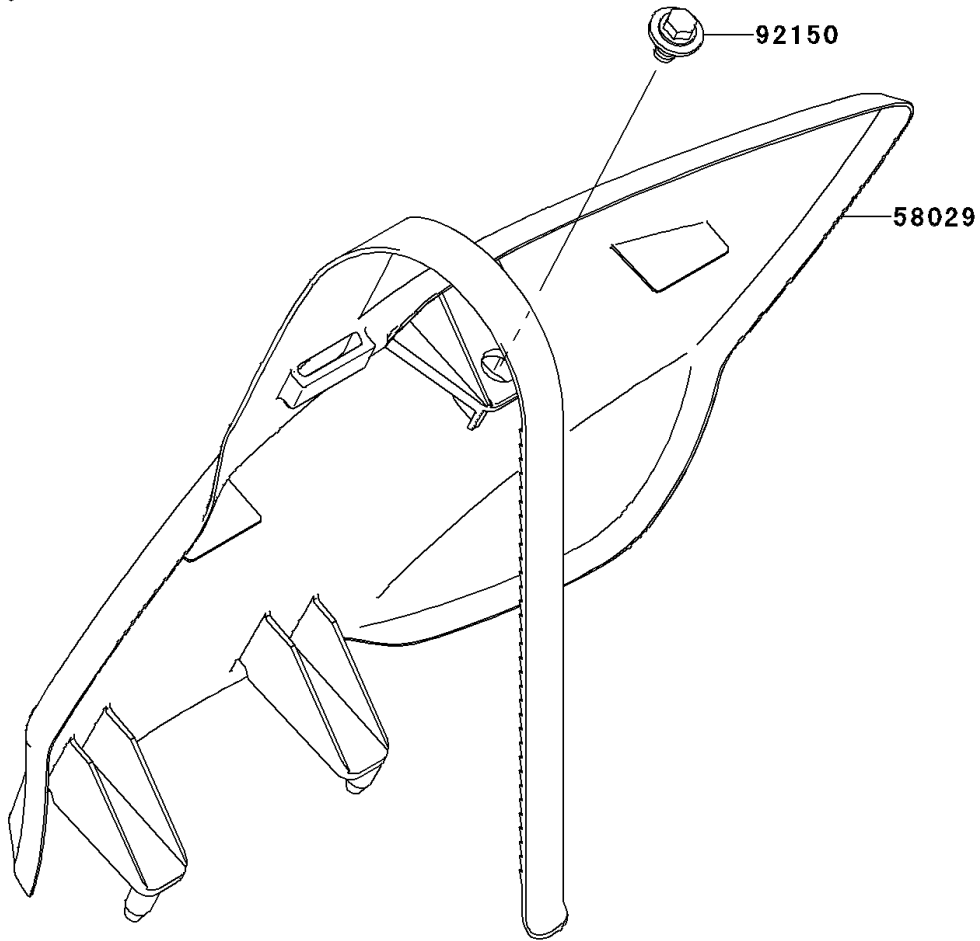


# 2012 KX™ 450F PARTS DIAGRAM

Accessory

F2910



WOD

## 2012 KX™ 450F PARTS LIST

### Accessory

<b>ITEM NAME</b>	<b>PART NUMBER</b>	<b>QUANTITY</b>
PLATE-NUMBER,B.WHITE (Ref # 58029)	58029-0006-266	1
BOLT,6X12 (Ref # 92150)	92150-1435	1