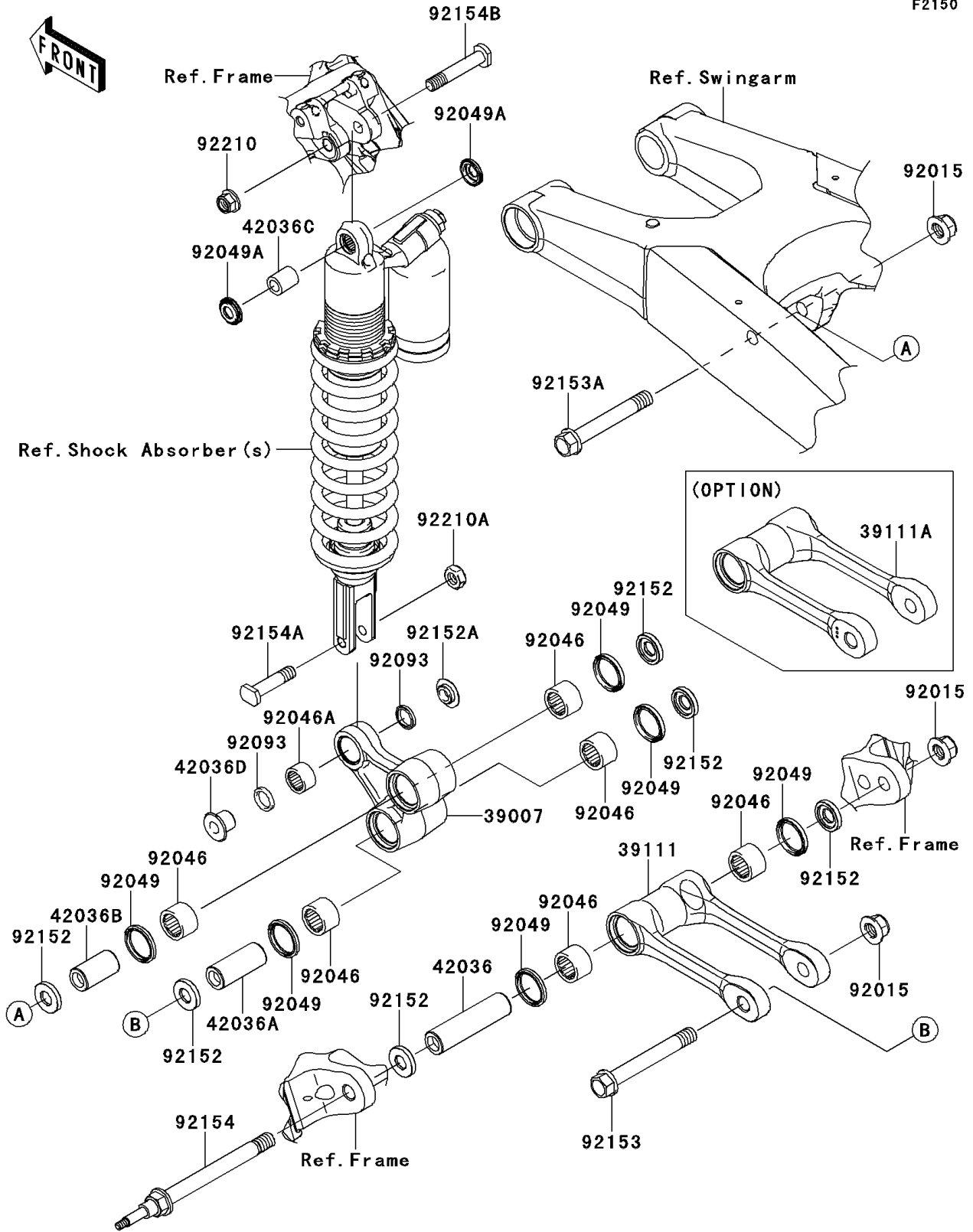


# 2012 KX™ 450F PARTS DIAGRAM

Rear Suspension



## 2012 KX™ 450F PARTS LIST

### Rear Suspension

| ITEM NAME                                    | PART NUMBER | QUANTITY |
|----------------------------------------------|-------------|----------|
| ARM-SUSP,UNI TRAK (Ref # 39007)              | 39007-0182  | 1        |
| ROD-TIE,SUSPENSION (Ref # 39111)             | 39111-0086  | 1        |
| ROD-TIE,L=136 (Ref # 39111A)                 | 39111-0310  | 1        |
| SLEEVE,ROD,L=78.4 (Ref # 42036)              | 42036-0020  | 1        |
| SLEEVE,SUSPENSION ARM,L=49 (Ref # 42036A)    | 42036-0021  | 1        |
| SLEEVE,SUSPENSION ARM,L=37 (Ref # 42036B)    | 42036-0022  | 1        |
| SLEEVE,10X16X19.3 (Ref # 42036C)             | 42036-0030  | 1        |
| SLEEVE (Ref # 42036D)                        | 42036-1351  | 1        |
| NUT,LOCK,FLANGED,12MM (Ref # 92015)          | 92015-1433  | 3        |
| BEARING-NEEDLE,F-2016 (Ref # 92046)          | 92046-1151  | 6        |
| BEARING-NEEDLE,7E-HVS16X22X12 (Ref # 92046A) | 92046-1301  | 1        |
| SEAL-OIL,SDO26X32X4 (Ref # 92049)            | 92049-0063  | 6        |
| SEAL-OIL (Ref # 92049A)                      | 92049-0069  | 2        |
| SEAL (Ref # 92093)                           | 92093-1436  | 2        |
| COLLAR (Ref # 92152)                         | 92152-0425  | 6        |
| COLLAR (Ref # 92152A)                        | 92152-1139  | 1        |
| BOLT,FLANGED,12X95 (Ref # 92153)             | 92153-0938  | 1        |
| BOLT,FLANGED,12X86 (Ref # 92153A)            | 92153-0939  | 1        |
| BOLT,12X122 (Ref # 92154)                    | 92154-0394  | 1        |
| BOLT,10X45 (Ref # 92154A)                    | 92154-0512  | 1        |
| BOLT,10X58 (Ref # 92154B)                    | 92154-0513  | 1        |
| NUT,LOCK,FLANGED,10MM (Ref # 92210)          | 92210-1080  | 1        |
| NUT,LOCK,10MM (Ref # 92210A)                 | 92210-1184  | 1        |