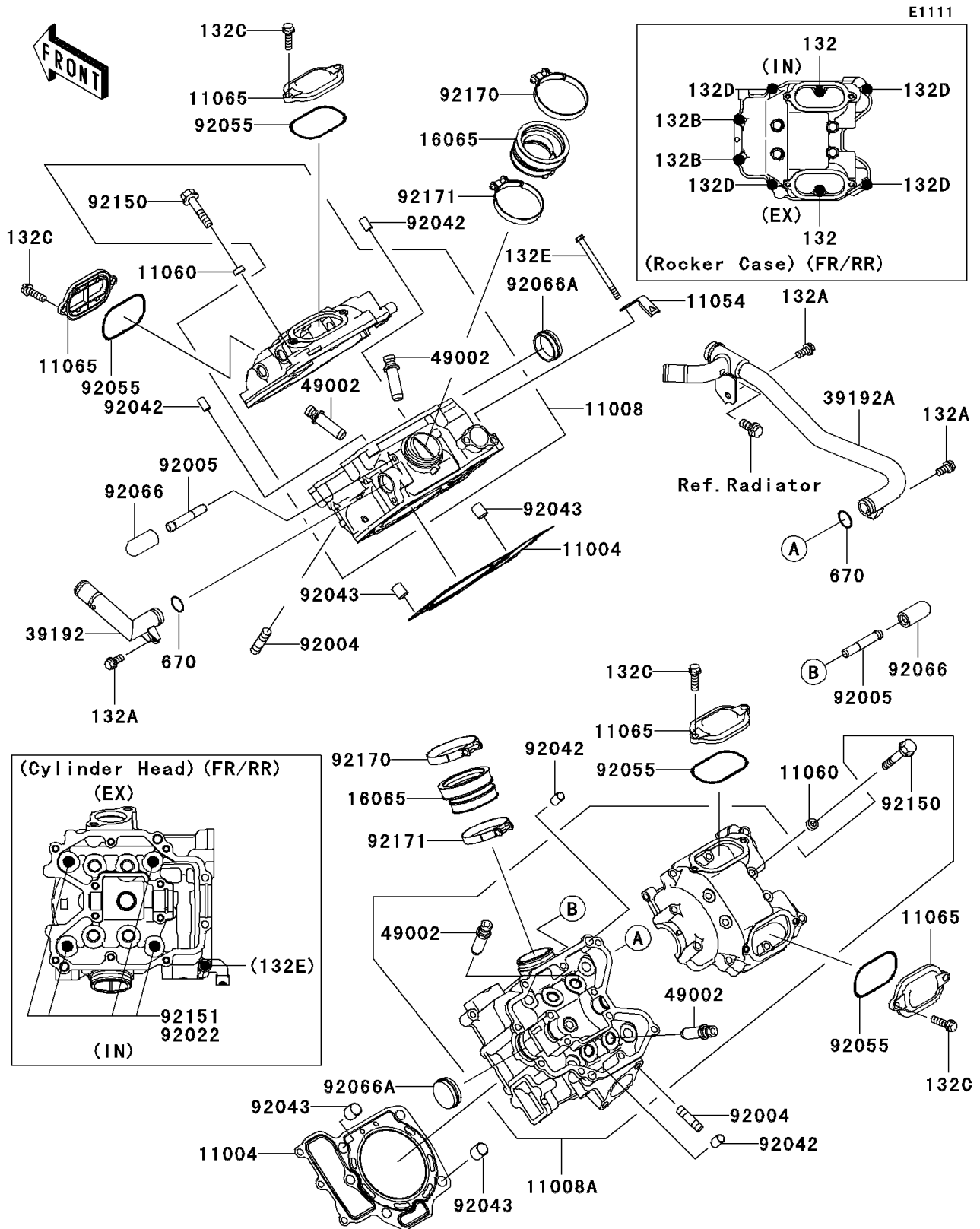


2008 Brute Force® 750 4x4i PARTS DIAGRAM

Cylinder Head



2008 Brute Force® 750 4x4i PARTS LIST

Cylinder Head

| ITEM NAME | PART NUMBER | QUANTITY |
|---------------------------------------|-------------|----------|
| BOLT-FLANGED-SMALL,6X25 (Ref # 132) | 132BA0625 | 4 |
| BOLT-FLANGED-SMALL,6X12 (Ref # 132A) | 132BD0612 | 3 |
| BOLT-FLANGED-SMALL,6X130 (Ref # 132B) | 132BD06130 | 4 |
| BOLT-FLANGED-SMALL,6X20 (Ref # 132C) | 132BD0620 | 8 |
| BOLT-FLANGED-SMALL,6X30 (Ref # 132D) | 132BD0630 | 8 |
| BOLT-FLANGED-SMALL,6X95 (Ref # 132E) | 132BD0695 | 2 |
| O RING,16MM (Ref # 670) | 670B2016 | 2 |
| GASKET-HEAD (Ref # 11004) | 11004-0011 | 2 |
| HEAD-COMP-CYLINDER,FR (Ref # 11008) | 11008-0087 | 1 |
| HEAD-COMP-CYLINDER,RR (Ref # 11008A) | 11008-0088 | 1 |
| BRACKET (Ref # 11054) | 11054-1468 | 1 |
| GASKET,6.2X12X0.3 (Ref # 11060) | 11060-1994 | 8 |
| CAP,ROCKER CASE (Ref # 11065) | 11065-1152 | 4 |
| HOLDER-CARBURETOR (Ref # 16065) | 16065-0046 | 2 |
| PIPE-WATER,FR (Ref # 39192) | 39192-0033 | 1 |
| PIPE-WATER,RR (Ref # 39192A) | 39192-0034 | 1 |
| GUIDE-VALVE (Ref # 49002) | 49002-1097 | AR |
| STUD,8X22 (Ref # 92004) | 92004-1217 | 4 |
| FITTING (Ref # 92005) | 92005-1264 | 2 |
| WASHER,11.5X20.5X1.6 (Ref # 92022) | 92022-1720 | 8 |
| PIN,DOWEL,6.3X8X14 (Ref # 92042) | 92042-007 | 4 |
| PIN,10.1X12X14 (Ref # 92043) | 92043-4009 | 4 |
| RING-O (Ref # 92055) | 92055-0112 | 4 |
| PLUG (Ref # 92066) | 92066-0095 | 2 |
| PLUG (Ref # 92066A) | 92066-1289 | 2 |
| BOLT,FLANGED,6X55 (Ref # 92150) | 92150-1302 | 8 |
| BOLT,FLANGED,10X150 (Ref # 92151) | 92151-1917 | 8 |
| CLAMP (Ref # 92170) | 92170-1448 | 2 |
| CLAMP (Ref # 92171) | 92171-0722 | 2 |