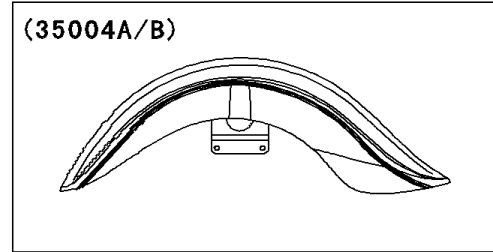
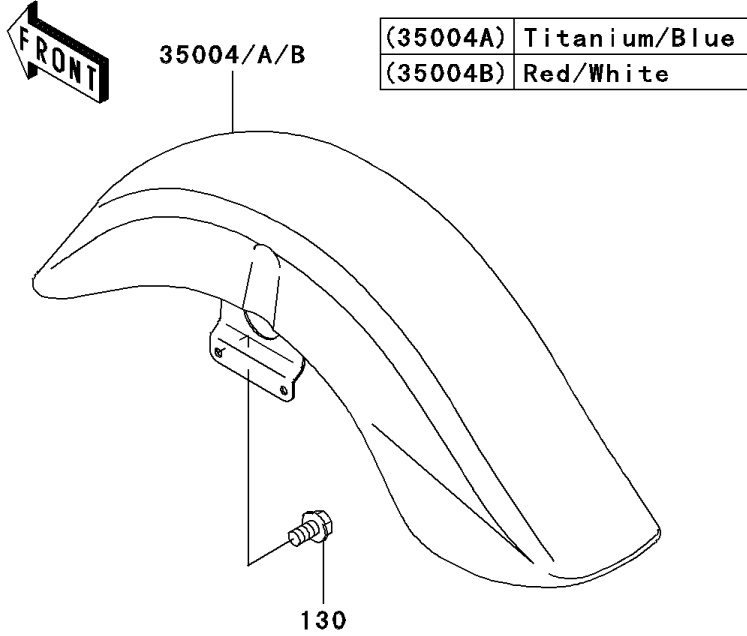


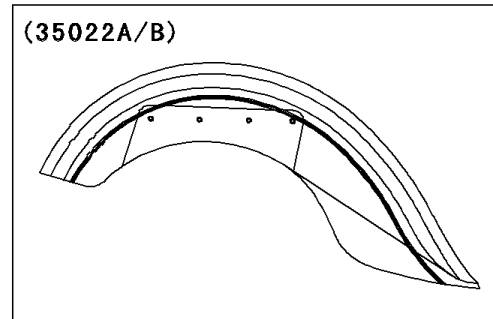
# 2007 Vulcan 1500 Classic PARTS DIAGRAM

Fenders

F2170

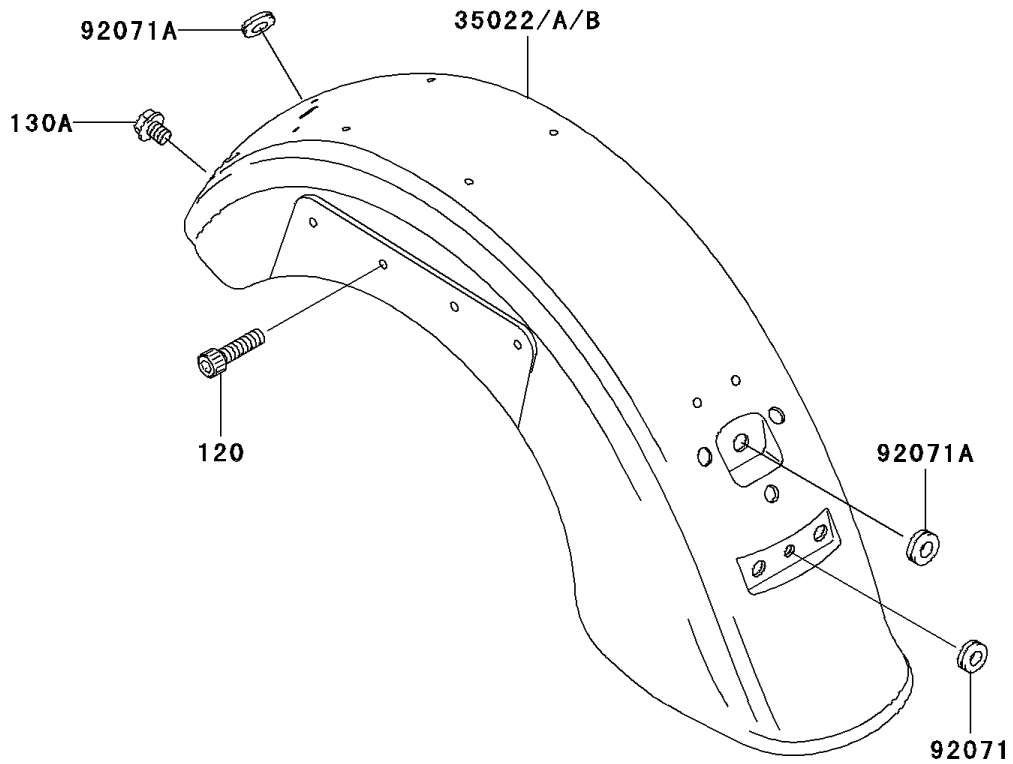


WD



WD

(35022A)	Titanium/Blue
(35022B)	Red/White



## 2007 Vulcan 1500 Classic PARTS LIST

### Fenders

ITEM NAME	PART NUMBER	QUANTITY
FENDER-FRONT,EBONY (Ref # 35004)	35004-1419-H8	1
FENDER-COMP-REAR,EBONY (Ref # 35022)	35022-1315-H8	1
BOLT-SOCKET,8X30 (Ref # 120)	120S0830	2
BOLT-FLANGED,8X14 (Ref # 130)	130J0814	4
BOLT-FLANGED,8X16 (Ref # 130A)	130J0816	2
GROMMET,10MM (Ref # 92071)	92071-019	1
GROMMET,13MM (Ref # 92071A)	92071-099	3