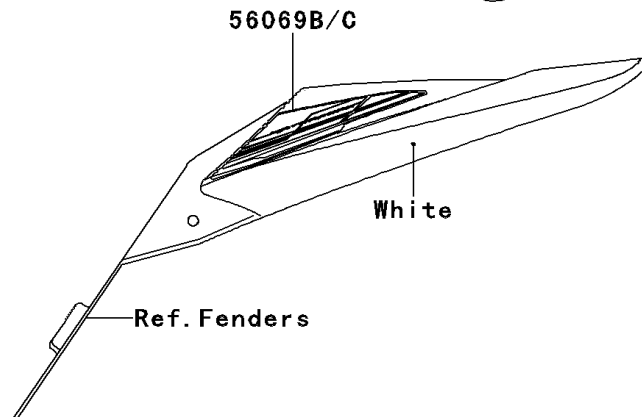
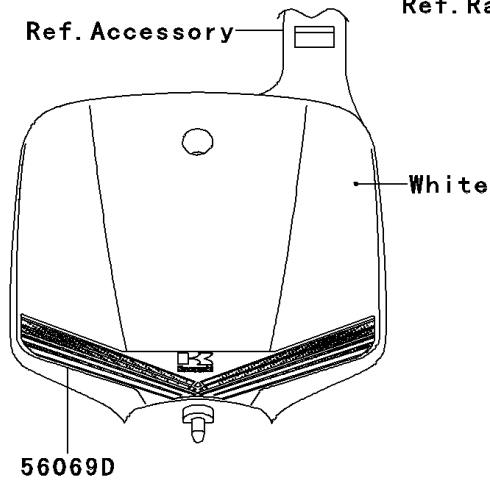
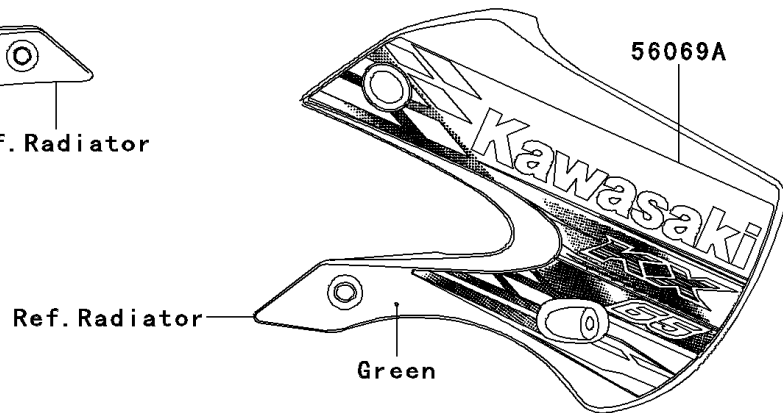
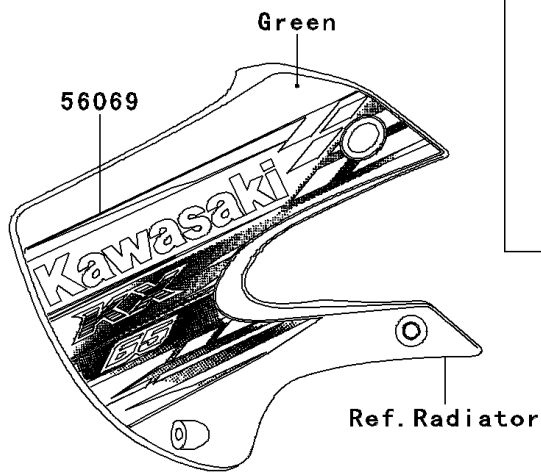
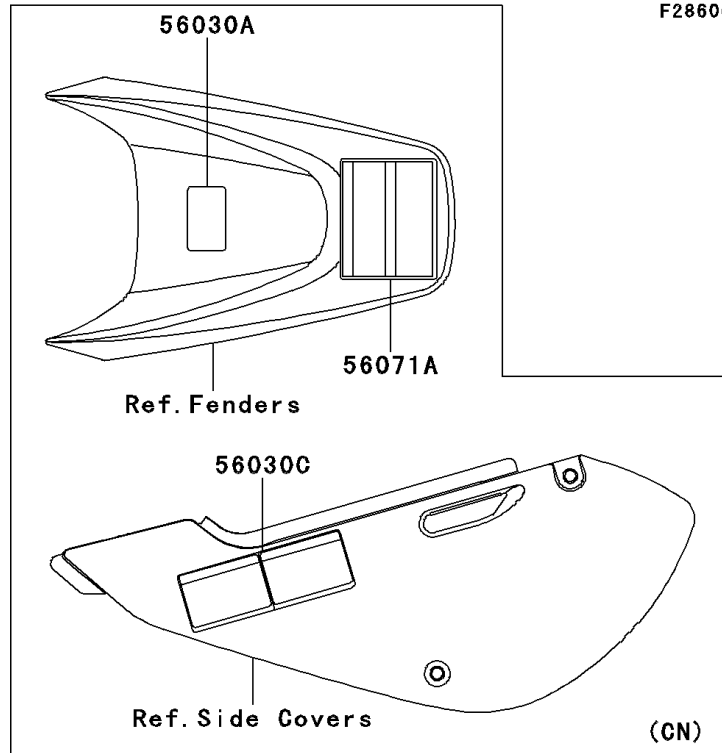
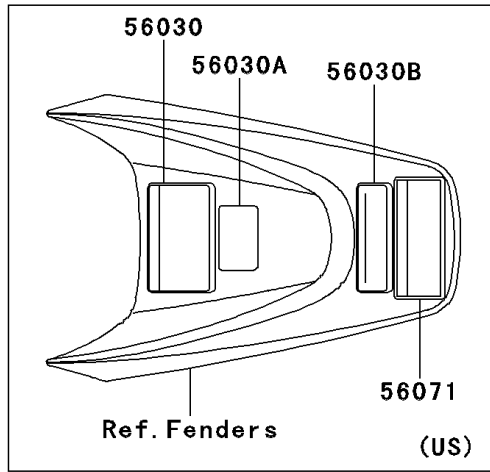


2013 KX™65 PARTS DIAGRAM

Labels(ADF)

F2860C



2013 KX™65 PARTS LIST

Labels(ADF)

ITEM NAME	PART NUMBER	QUANTITY
LABEL,32:1 (Ref # 56030A)	56030-1230	1
PATTERN,SHROUD,LH (Ref # 56069)	56069-2451	1
PATTERN,SHROUD,RH (Ref # 56069A)	56069-2452	1
PATTERN,RR FENDER,LH (Ref # 56069B)	56069-2453	1
PATTERN,RR FENDER,RH (Ref # 56069C)	56069-2454	1
PATTERN,NUMBER PLATE (Ref # 56069D)	56069-2455	1
LABEL,DISCLAIMER (Ref # 56030)	56030-1229	1
LABEL,NOISE EMISSION (Ref # 56030B)	56030-1231	1
LABEL,DISCLAIMER (Ref # 56030C)	56030-1233	1
LABEL-WARNING,IMPORTANT NOTICE (Ref # 56071)	56071-0028	1
LABEL-WARNING,IMPORTANT NOTICE (Ref # 56071A)	56071-0029	1