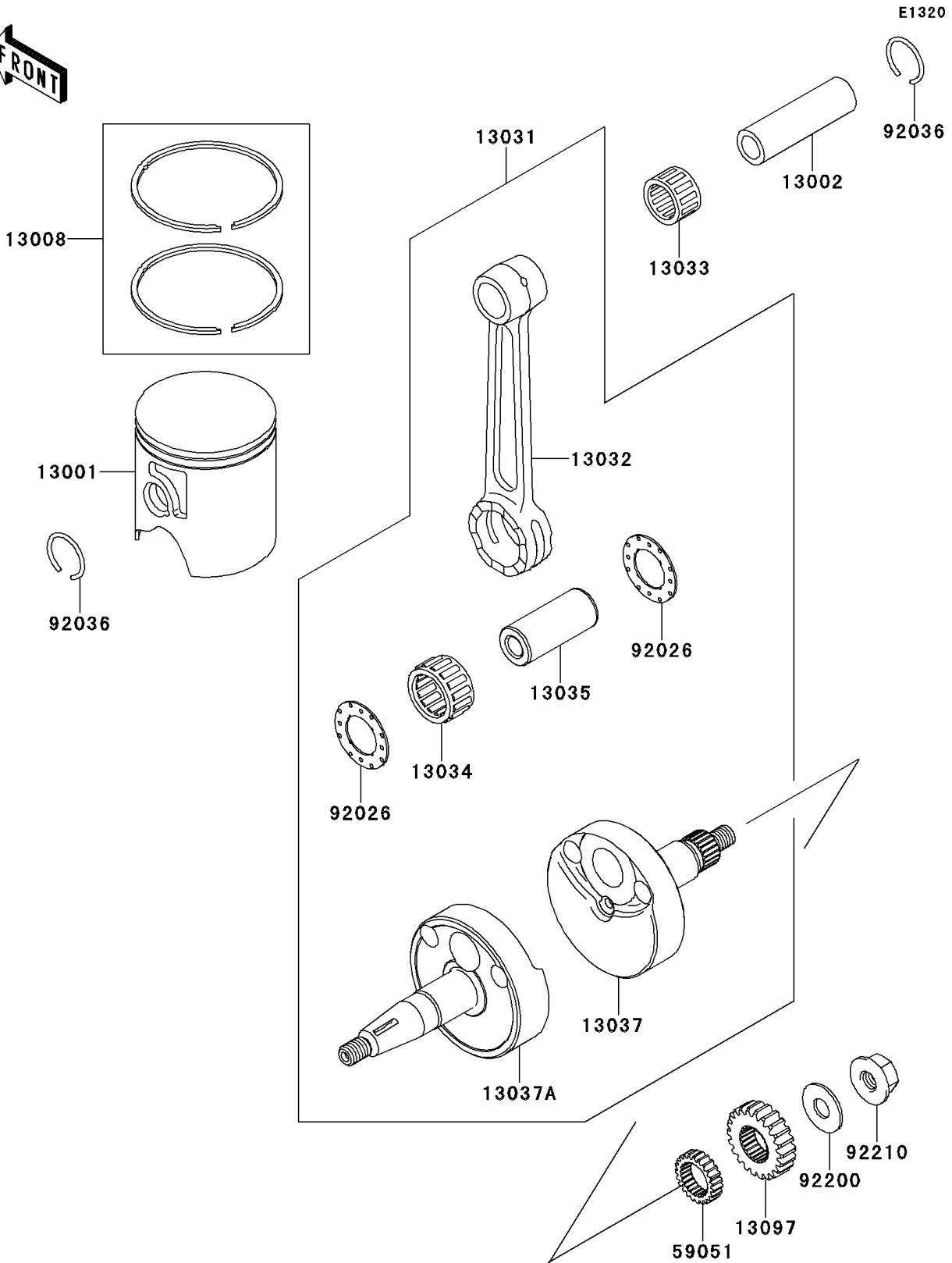


# 2010 KX65 (CANADA ONLY) PARTS DIAGRAM

Crankshaft/Piston(s)



## 2010 KX65 (CANADA ONLY) PARTS LIST

### Crankshaft/Piston(s)

ITEM NAME	PART NUMBER	QUANTITY
PISTON-ENGINE,B (Ref # 13001)	13001-0040	1
PIN-PISTON (Ref # 13002)	13002-1119	1
RING-SET-PISTON (Ref # 13008)	13008-1199	1
CRANKSHAFT-COMP (Ref # 13031)	13031-0039	1
ROD-CONNECTING (Ref # 13032)	13032-1246	1
BEARING-SMALL END (Ref # 13033)	13033-0002	1
BEARING-BIG END,SKTZ 202714EGS (Ref # 13034)	13034-0012	1
PIN-CRANK (Ref # 13035)	13035-1002	1
CRANKSHAFT,RH (Ref # 13037)	13037-0049	1
CRANKSHAFT,LH (Ref # 13037A)	13037-1615	1
GEAR-PRIMARY SPUR,22T (Ref # 13097)	13097-0055	1
GEAR-SPUR,PUMP,23T (Ref # 59051)	59051-1146	1
SPACER (Ref # 92026)	92026-1522	2
RING-SNAP,PISTON PIN (Ref # 92036)	92036-007	2
WASHER,10.2X25X1.5 (Ref # 92200)	92200-0213	1
NUT,FLANGED,M10XL1.25 (Ref # 92210)	92210-0215	1