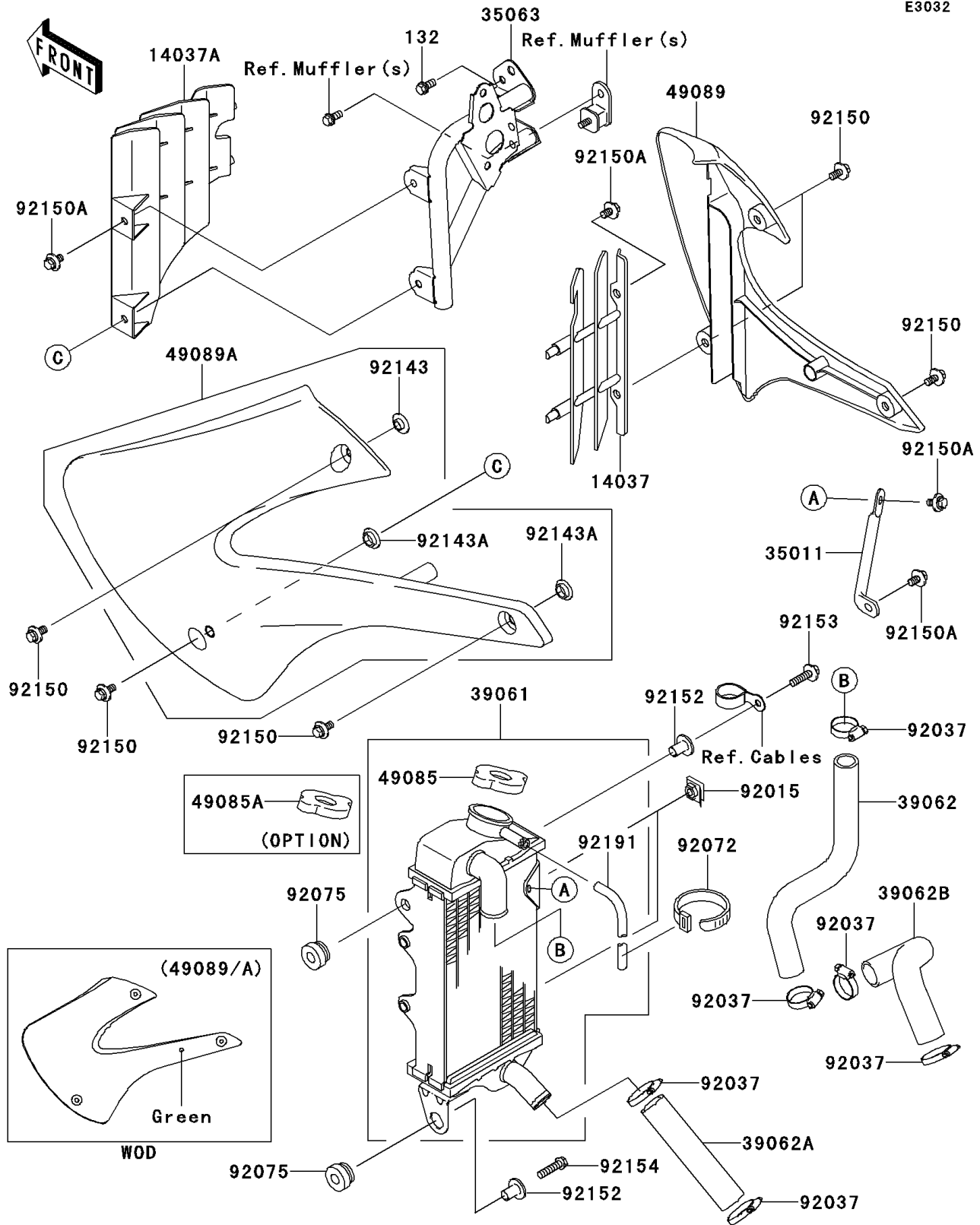


## 2012 KX<sup>™</sup>100 PARTS DIAGRAM

Radiator



E3032

## 2012 KX™100 PARTS LIST

### Radiator

| ITEM NAME                                 | PART NUMBER    | QUANTITY |
|---|----------------|----------|
| BOLT-FLANGED-SMALL,6X12 (Ref # 132)       | 132BA0612      | 1        |
| SCREEN,RH,BLACK (Ref # 14037)             | 14037-1249-6D  | 1        |
| SCREEN,LH,BLACK (Ref # 14037A)            | 14037-1282-6D  | 1        |
| STAY (Ref # 35011)                        | 35011-1845     | 1        |
| STAY (Ref # 35063)                        | 35063-1137     | 1        |
| RADIATOR-ASSY (Ref # 39061)               | 39061-1245     | 1        |
| HOSE-COOLING,HEAD-RADIATOR (Ref # 39062)  | 39062-1425     | 1        |
| HOSE-COOLING,RADIATOR-PUMP (Ref # 39062A) | 39062-1711     | 1        |
| HOSE-COOLING,CYLINDER PUMP (Ref # 39062B) | 39062-1712     | 1        |
| CAP-ASSY-PRESSURE,P1.1 (Ref # 49085)      | 49085-1070     | 1        |
| CAP-ASSY-PRESSURE,P1.6 (Ref # 49085A)     | 49085-1073     | 1        |
| SHROUD-ENGINE,RH,L.GREEN (Ref # 49089)    | 49089-1139-290 | 1        |
| SHROUD-ENGINE,LH,L.GREEN (Ref # 49089A)   | 49089-1146-290 | 1        |
| NUT (Ref # 92015)                         | 92015-1487     | 2        |
| CLAMP,COOLING HOSE (Ref # 92037)          | 92037-1589     | 6        |
| BAND,L=186 (Ref # 92072)                  | 92072-056      | 1        |
| DAMPER (Ref # 92075)                      | 92075-1352     | 2        |
| COLLAR (Ref # 92143)                      | 92143-1087     | 1        |
| COLLAR (Ref # 92143A)                     | 92143-1196     | 2        |
| BOLT,6X14 (Ref # 92150)                   | 92150-1340     | 6        |
| BOLT,6X12 (Ref # 92150A)                  | 92150-1435     | 4        |
| COLLAR (Ref # 92152)                      | 92152-0666     | 2        |
| BOLT,FLANGED WP,6X25 (Ref # 92153)        | 92153-1008     | 1        |
| BOLT,FLANGED,6X25 (Ref # 92154)           | 92154-0520     | 1        |
| TUBE,6X9X700 (Ref # 92191)                | 92191-1211     | 1        |