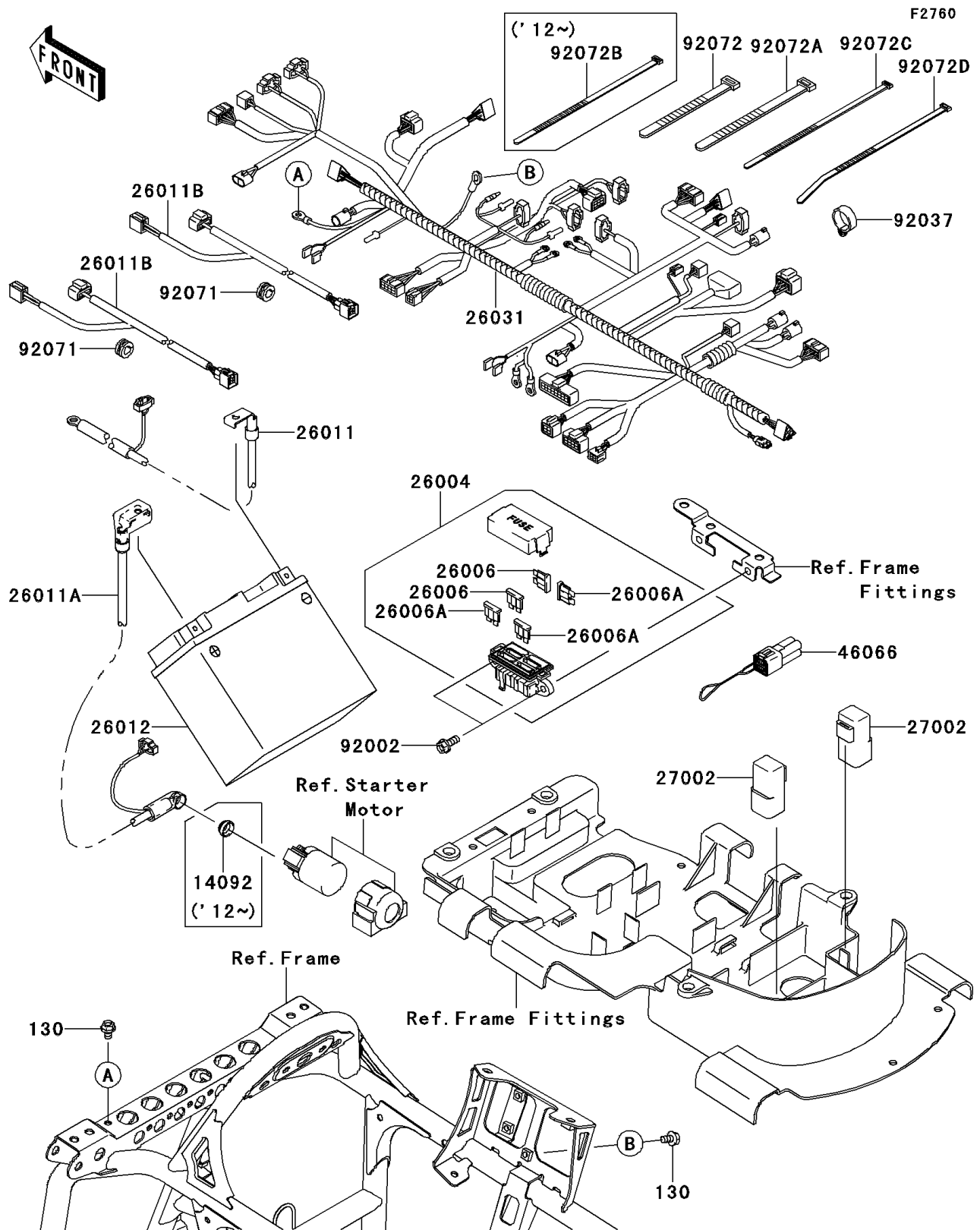


2011 BRUTE FORCE® 650 4x4i PARTS DIAGRAM

Chassis Electrical Equipment



2011 BRUTE FORCE® 650 4x4i PARTS LIST

Chassis Electrical Equipment

ITEM NAME	PART NUMBER	QUANTITY
BOLT-FLANGED,6X10 (Ref # 130)	130BA0610	1
FUSE-ASSY (Ref # 26004)	26004-0011	1
FUSE,BLADE,30A,GREEN (Ref # 26006)	26006-0004	1
FUSE,BLADE,10A,RED (Ref # 26006A)	26006-0005	1
WIRE-LEAD,BATTERY(-) (Ref # 26011)	26011-0137	1
WIRE-LEAD,BATTERY(+) (Ref # 26011A)	26011-0138	1
WIRE-LEAD,HEAD LAMP (Ref # 26011B)	26011-0141	1
BATTERY,MF,KMX14-BS,12V 12AH (Ref # 26012)	26012-1414	1
HARNESS,MAIN (Ref # 26031)	26031-0928	1
RELAY-ASSY (Ref # 27002)	27002-1088	1
CONNECTOR-ASSY,RESET (Ref # 46066)	46066-0001	1
BOLT,6X16 (Ref # 92002)	92002-1571	1
CLAMP,HOSE (Ref # 92037)	92037-1827	1
GROMMET (Ref # 92071)	92071-1128	1
BAND,L=123 (Ref # 92072)	92072-030	1
BAND,L=149 (Ref # 92072A)	92072-031	1
BAND,L=188 (Ref # 92072C)	92072-1239	1
BAND,L=292.1 (Ref # 92072D)	92072-3509	1