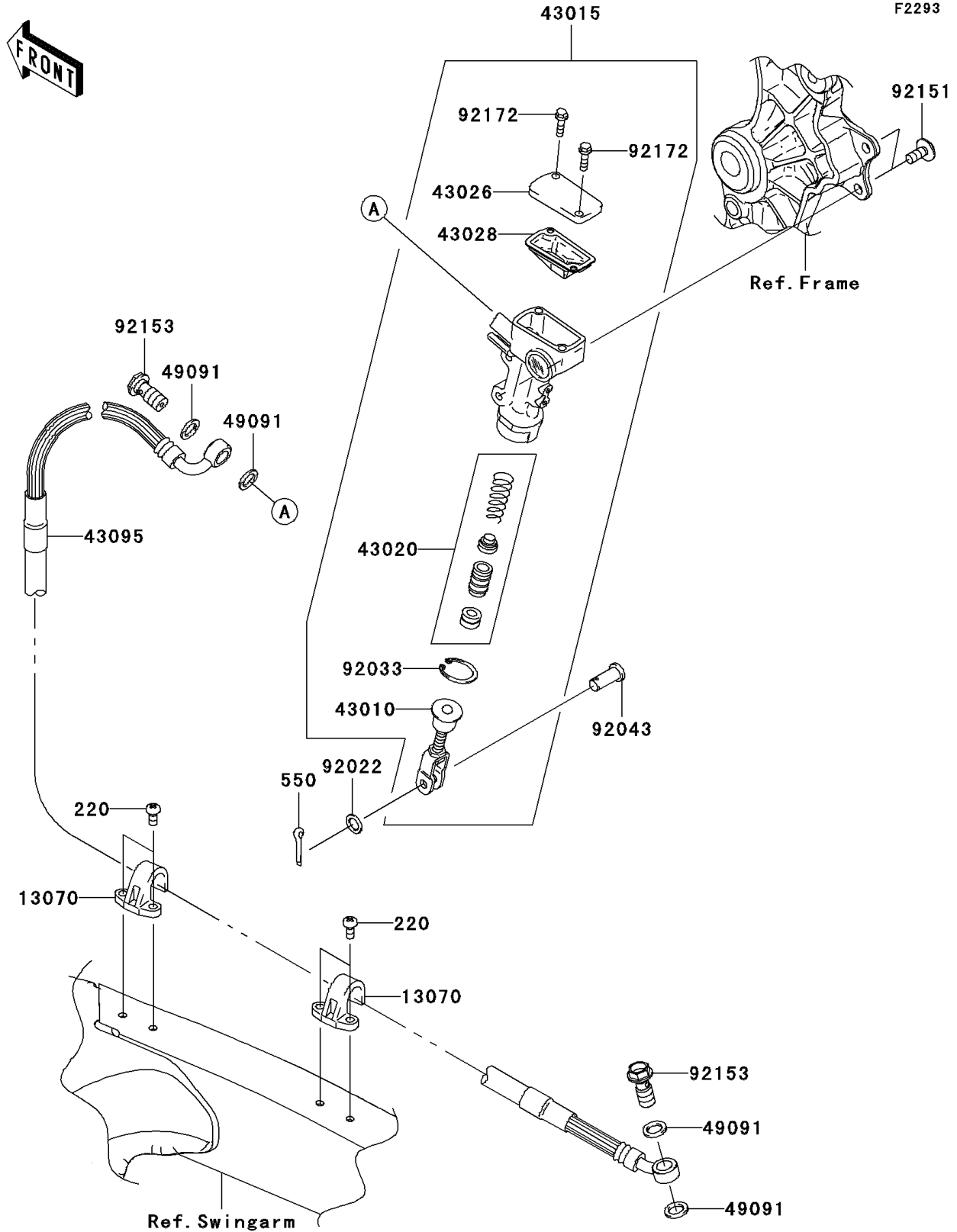


# 2011 KX™ 250F PARTS DIAGRAM

## Rear Master Cylinder



## 2011 KX™ 250F PARTS LIST

### Rear Master Cylinder

ITEM NAME	PART NUMBER	QUANTITY
SCREW-PAN-CROSS,5X10 (Ref # 220)	220AA0510	4
PIN-COTTER,2.0X15 (Ref # 550)	550AA2015	1
GUIDE,BRAKE HOSE (Ref # 13070)	13070-0048	2
ROD-ASSY-BRAKE (Ref # 43010)	43010-1087	1
CYLINDER-ASSY-MASTER (Ref # 43015)	43015-0168	1
PISTON-COMP-BRAKE (Ref # 43020)	43020-1094	1
CAP-BRAKE (Ref # 43026)	43026-0023	1
DIAPHRAGM (Ref # 43028)	43028-1092	1
HOSE-BRAKE,RR (Ref # 43095)	43095-0449	1
WASHER-SEAL,10.1X14.5X1.5 (Ref # 49091)	49091-0001	4
WASHER,8.5X13X1 (Ref # 92022)	92022-1028	1
RING-SNAP,20.9X24.6X1.2 (Ref # 92033)	92033-0079	1
PIN (Ref # 92043)	92043-0004	1
BOLT,SOCKET,6X14 (Ref # 92151)	92151-1654	2
BOLT,OIL,L=23 (Ref # 92153)	92153-0627	2
SCREW (Ref # 92172)	92172-1064	2