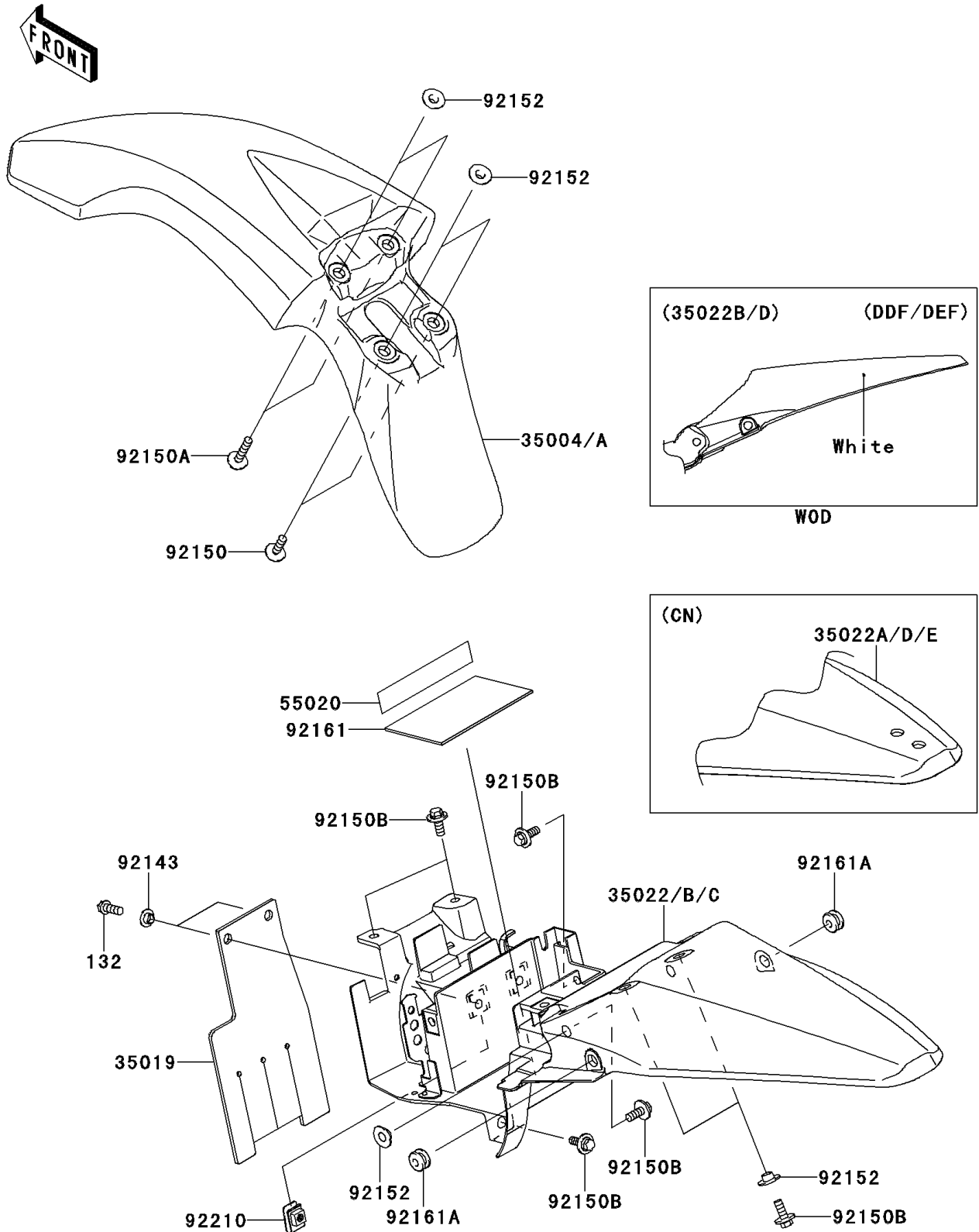


2010 KLX® 110L PARTS DIAGRAM

Fenders

F2170



2010 KLX® 110L PARTS LIST

Fenders

ITEM NAME	PART NUMBER	QUANTITY
BOLT-FLANGED-SMALL,6X16 (Ref # 132)	132BA0616	1
FENDER-FRONT,L.GREEN (Ref # 35004)	35004-0136-290	1
FLAP (Ref # 35019)	35019-0091	1
GUARD (Ref # 55020)	55020-0552	1
COLLAR (Ref # 92143)	92143-1331	1
BOLT,FLANGED,6X20 (Ref # 92150)	92150-1339	1
BOLT,FLANGED,6X30 (Ref # 92150A)	92150-1486	1
BOLT,FLANGED,6X16 (Ref # 92150B)	92150-1506	1
COLLAR (Ref # 92152)	92152-0427	1
DAMPER (Ref # 92161)	92161-0845	1
DAMPER (Ref # 92161A)	92161-0864	1
NUT,6MM (Ref # 92210)	92210-0218	1
FENDER-COMP-REAR,L.GREEN (Ref # 35022)	35022-0073-290	1
FENDER-COMP-REAR,L.GREEN (Ref # 35022A)	35022-0074-290	1