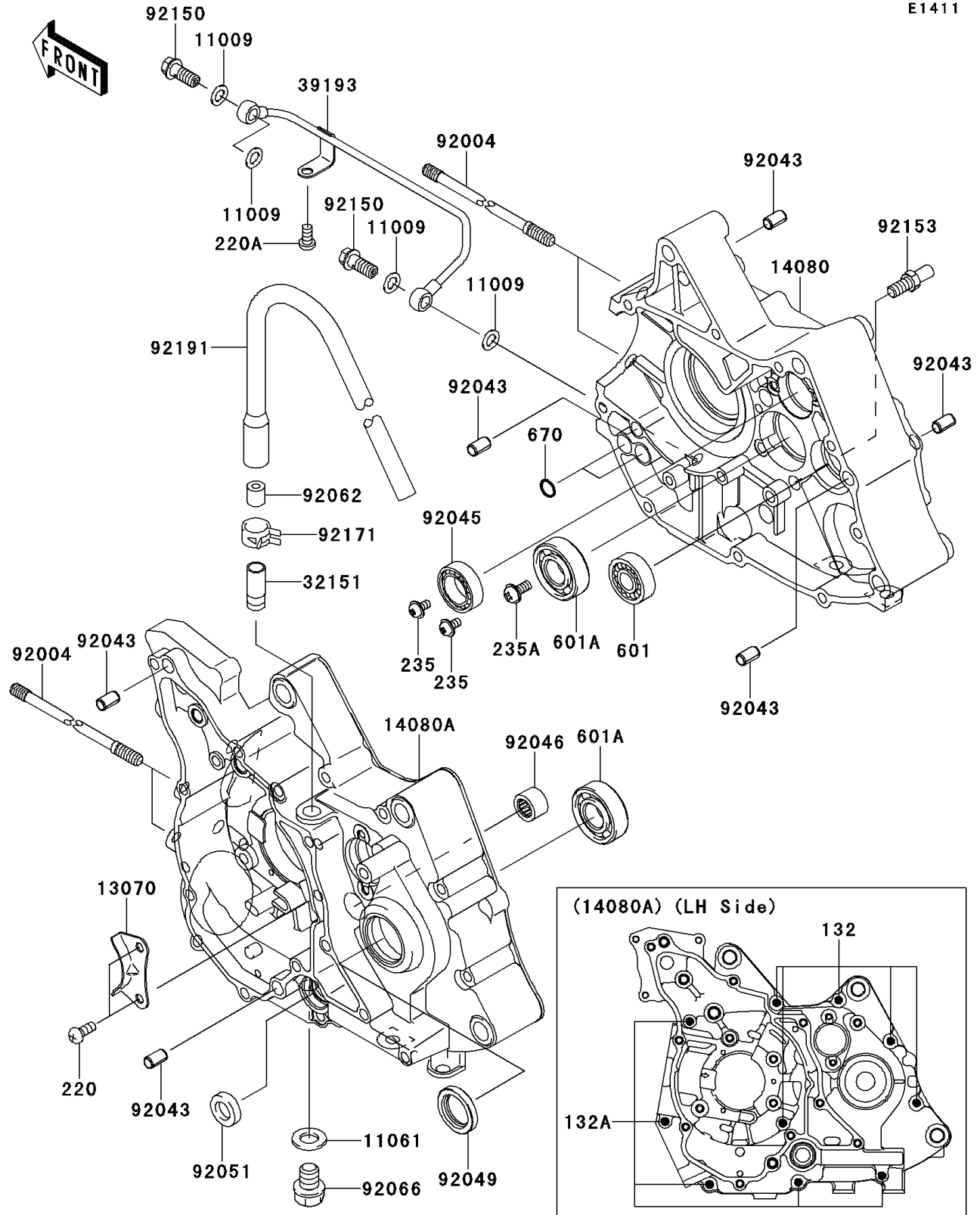


2010 KLX® 110L PARTS DIAGRAM

Crankcase

E1411



2010 KLX® 110L PARTS LIST

Crankcase

| ITEM NAME | PART NUMBER | QUANTITY |
|--------------------------------------|-------------|----------|
| BOLT-FLANGED-SMALL,6X50 (Ref # 132) | 132BD0650 | 1 |
| BOLT-FLANGED-SMALL,6X75 (Ref # 132A) | 132BD0675 | 1 |
| SCREW-PAN-CROS,6X14 (Ref # 220) | 220AA0614 | 1 |
| SCREW-PAN-CROS,6X12 (Ref # 220A) | 220AD0612 | 1 |
| SCREW-PAN-WP-CROS,5X10 (Ref # 235) | 235AA0510 | 1 |
| SCREW-PAN-WP-CROS,6X14 (Ref # 235A) | 235AA0614 | 1 |
| BEARING-BALL (Ref # 601) | 601A6201 | 1 |
| BEARING-BALL,#6203 (Ref # 601A) | 601A6203 | 1 |
| O RING,9.8X1.9 (Ref # 670) | 670B1510 | 1 |
| GASKET,8.2X14X1.0 (Ref # 11009) | 11009-1344 | 1 |
| GASKET,DRAIN PLUG (Ref # 11061) | 11061-0265 | 1 |
| GUIDE (Ref # 13070) | 13070-1319 | 1 |
| CRANKCASE,RH (Ref # 14080) | 14080-0080 | 1 |
| CRANKCASE,LH (Ref # 14080A) | 14080-0267 | 1 |
| PIPE (Ref # 32151) | 32151-1961 | 1 |
| PIPE-OIL (Ref # 39193) | 39193-1042 | 1 |
| STUD,8X192 (Ref # 92004) | 92004-0030 | 1 |
| PIN,6.2X8X14 (Ref # 92043) | 92043-0099 | 1 |
| BEARING-BALL,6804 (Ref # 92045) | 92045-1171 | 1 |
| BEARING-NEEDLE,HK1312 (Ref # 92046) | 92046-1148 | 1 |
| SEAL-OIL (Ref # 92049) | 92049-1429 | 1 |
| SEAL-OIL,TB13225.5 (Ref # 92051) | 92051-005 | 1 |
| NOZZLE,5X11.5X12 (Ref # 92062) | 92062-1090 | 1 |
| PLUG,OIL DRAIN,12X15 (Ref # 92066) | 92066-1174 | 1 |
| BOLT,BANJO,8X20 (Ref # 92150) | 92150-1556 | 1 |
| BOLT,8X15.5 (Ref # 92153) | 92153-1823 | 1 |
| CLAMP (Ref # 92171) | 92171-1055 | 1 |
| TUBE,BREATHER (Ref # 92191) | 92191-1724 | 1 |