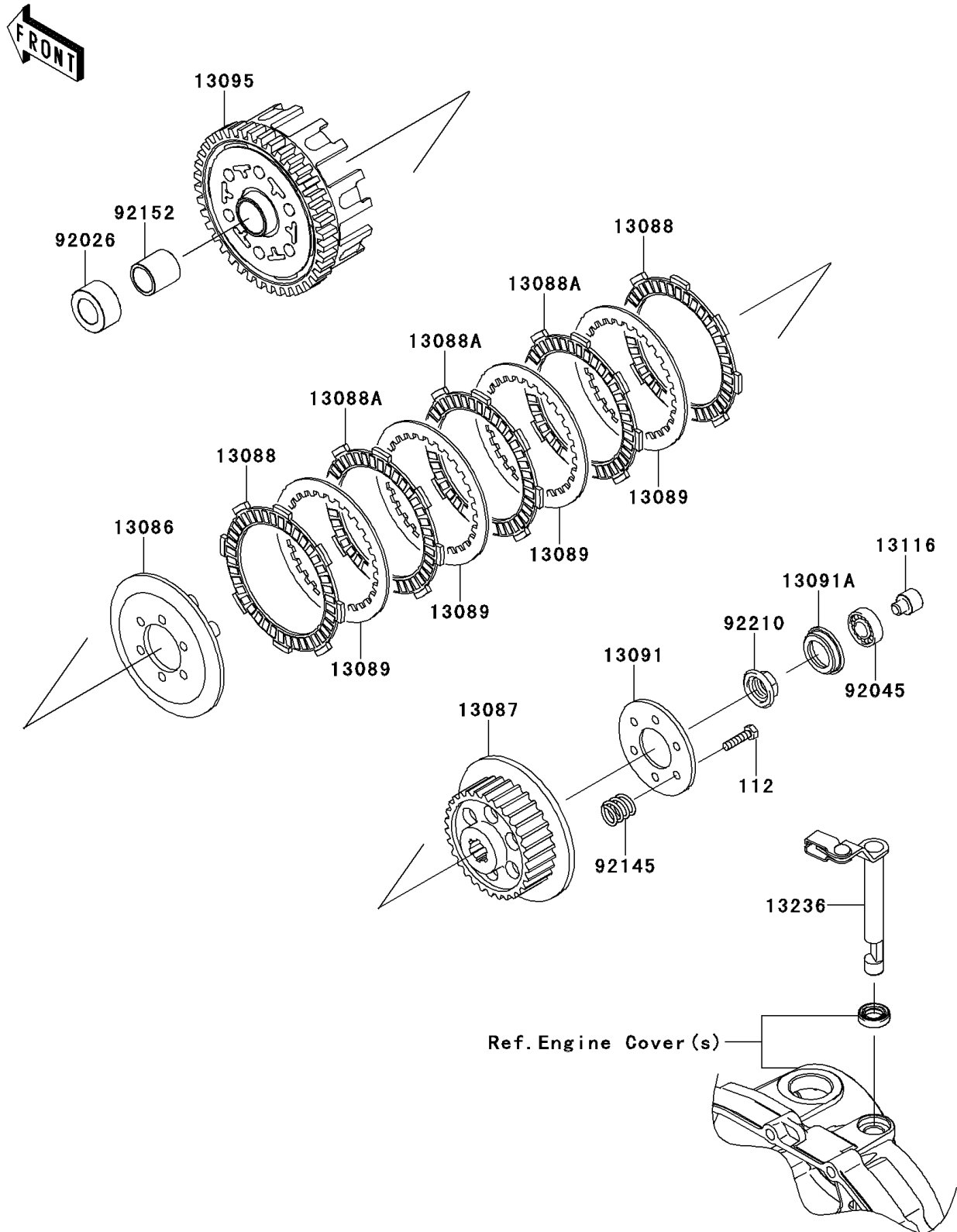


## 2010 KLX<sup>®</sup> 110L PARTS DIAGRAM

Clutch

E1350



## 2010 KLX®110L PARTS LIST

### Clutch

ITEM NAME	PART NUMBER	QUANTITY
BOLT-UPSET,5X20 (Ref # 112)	112BA0520	1
WHEEL-CLUTCH (Ref # 13086)	13086-1065	1
HUB-CLUTCH (Ref # 13087)	13087-1151	1
PLATE-FRICTION (Ref # 13088)	13088-0047	1
PLATE-FRICTION (Ref # 13088A)	13088-0048	1
PLATE-CLUTCH (Ref # 13089)	13089-1087	1
HOLDER,CLUTCH (Ref # 13091)	13091-1782	1
HOLDER (Ref # 13091A)	13091-1787	1
HOUSING-COMP-CLUTCH (Ref # 13095)	13095-1403	1
ROD-PUSH (Ref # 13116)	13116-0038	1
LEVER-COMP (Ref # 13236)	13236-0177	1
SPACER (Ref # 92026)	92026-1605	1
BEARING-BALL,#628 (Ref # 92045)	92045-1123	1
SPRING (Ref # 92145)	92145-0713	1
COLLAR,17X22X22.7 (Ref # 92152)	92152-0393	1
NUT,14MM (Ref # 92210)	92210-1374	1