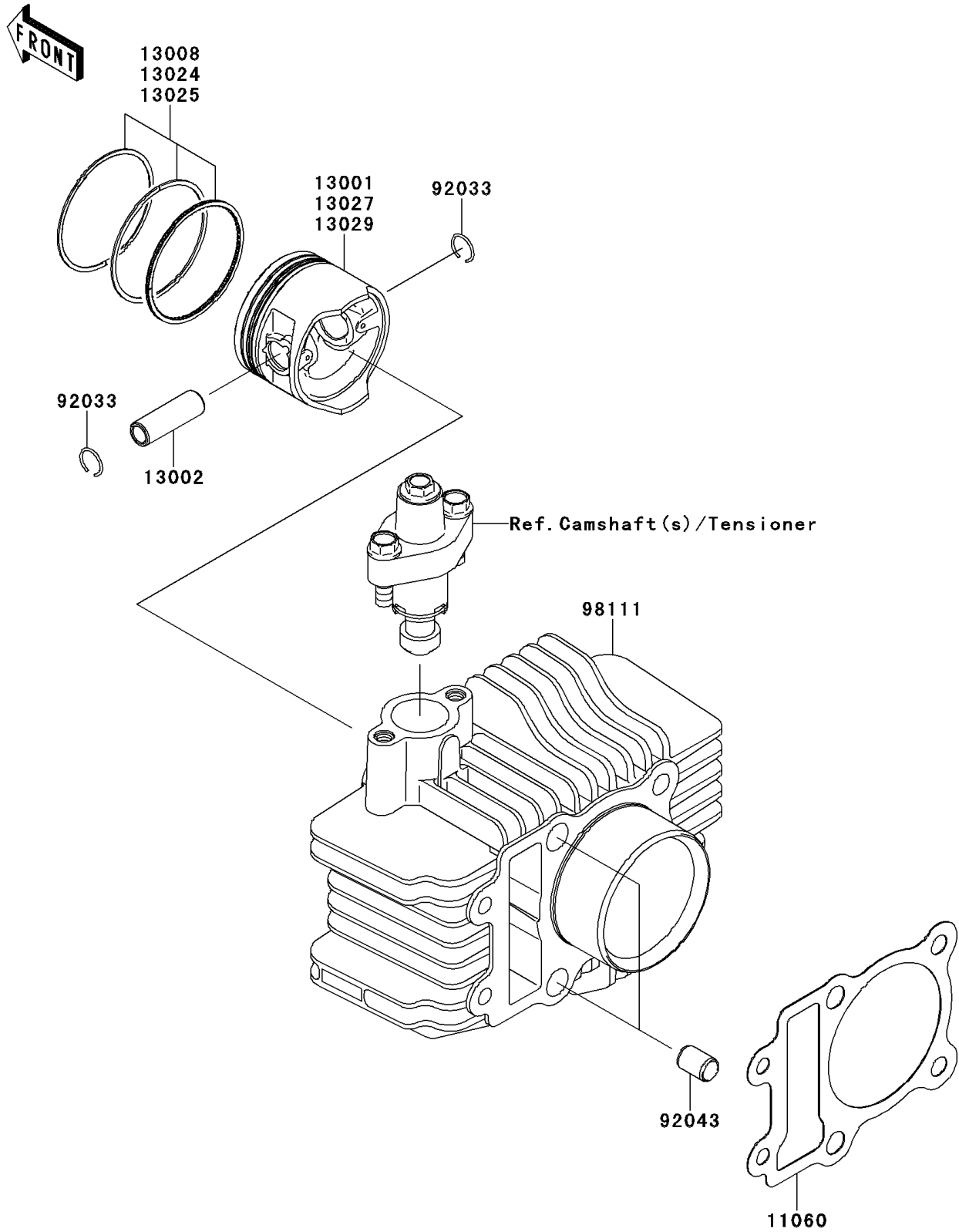


2010 KLX®110L PARTS DIAGRAM

Cylinder/Piston(s)

E1120



2010 KLX®110L PARTS LIST

Cylinder/Piston(s)

ITEM NAME	PART NUMBER	QUANTITY
GASKET,CYLINDER BASE (Ref # 11060)	11060-1754	1
PISTON-ENGINE,STD (Ref # 13001)	13001-0118	1
PIN-PISTON (Ref # 13002)	13002-0031	1
RING-SET-PISTON (Ref # 13008)	13008-0011	1
RING-SET-PISTON LL,O/S 1.00 (Ref # 13024)	13024-0007	1
RING-SET-PISTON L,O/S 0.50 (Ref # 13025)	13025-0008	1
PISTON-ENGINE LL (Ref # 13027)	13027-0015	1
PISTON-ENGINE L (Ref # 13029)	13029-0020	1
RING-SNAP (Ref # 92033)	92033-1072	1
PIN,8.2X10X14 (Ref # 92043)	92043-0100	1
CYLINDER-COMP-ENGINE (Ref # 98111)	98111-1083	1